

ONKYO® SERVICE MANUAL

PERSONAL COMPONENT SYSTEM

MPC-501

Black model

P	230V AC, 50Hz
D	120 AC, 60Hz

SAFETY-RELATED COMPONENT WARNING!!

COMPONENTS IDENTIFIED BY MARK \triangle ON THE SCHEMATIC DIAGRAM AND IN THE PARTS LIST ARE CRITICAL FOR RISK OF FIRE AND ELECTRIC SHOCK. REPLACE THESE COMPONENTS WITH ONKYO PARTS WHOSE PART NUMBERS APPEAR AS SHOWN IN THIS MANUAL.

MAKE LEAKAGE-CURRENT OR RESISTANCE MEASUREMENTS TO DETERMINE THAT EXPOSED PARTS ARE ACCEPTABLY INSULATED FROM THE SUPPLY CIRCUIT BEFORE RETURNING THE APPLIANCE TO THE CUSTOMER.



TABLE OF CONTENTS

TABLE OF CONTENTS	2
SERVICE PROCEDURES	3
CAUTION ON REPLACEMENT OF OPTICAL PICKUP	3
PROTECTION OF EYES FROM LASER BEAM DURING SERVICING/LASER WARNING LABELS	3
IC BLOCK DIAGRAMS	5
P.C. BOARDS - AMPLIFIER/CASSETTE DECK (KA-501)	11
P.C. BOARDS - CD/TUNER (CT-501)	21
WIRING DIAGRAM - AMPLIFIER/CASSETTE DECK (KA-501)	33
WIRING DIAGRAM - CD/TUNER (CT-501)	35
BLOCK DIAGRAMS - TUNER & MAIN BLOCK	37
BLOCK DIAGRAMS - AMPLIFIER/CASSETTE DECK BLOCK	38
BLOCK DIAGRAMS - CD DECODER BLOCK	39
CHASSIS EXPLODED VIEW PARTS LIST - CD/TUNER	40
CHASSIS EXPLODED VIEW - CD/TUNER (CT-501)	41
CHASSIS EXPLODED VIEW - AMPLIFIER/CASSETTE DECK (KA-501)	43
CHASSIS EXPLODED VIEW PARTS LIST - AMPLIFIER/CASSETTE DECK (KA-501)	45
TUNER ADJUSTMENTS	46
TAPE ADJUSTMENT	50
CD ADJUSTMENTS	52
PC BOARD PARTS LIST - AMPLIFIER/CASSETTE DECK (KA-501)	53
PC BOARD PARTS LIST - CD/TUNER (CT-501)	55
PACKING LIST	58
SCHEMATIC DIAGRAMS	59
SPECIFICATIONS	64

SERVICE PROCEDURES

1. Safety-check out

After correcting the original service problem, perform the following safety check before releasing the set to the customer:

Connect the insulating-resistance tester between the plug of power supply cord and chassis.

Specifications : More than 10 Mohm at 500V.

2. Replacing the fuses

For continued protection against fire hazard, replace only with same type and same rating fuse.

Circuit No.	Part No.	Description
F701	5267100L60	T1A/250V, UL/CSA <P>
	5266100020	T1A/125V, UL/CSA <D>
F702	5267100L60	T1A/250V, UL/CSA <P>
	5266100020	T1A/125V, UL/CSA <D>
F705	5267315L60	T3.15A/125V, UL/CSA <P>
	5266315020	T3.15A/125V, UL/CSA <D>

NOTE : <D> : 120V model only

<P> : 230V model only

CAUTION ON REPLACEMENT OF OPTICAL PICKUP

The laser diode in the optical pick-up block is so sensitive to static electricity, surge current and etc, than the components are liable to be broken down or its reliability remarkably deteriorated.

During repair, carefully take the following precautions.

(The following precautions are included in the service parts.)

PRECAUTIONS

1. Ground for the work-desk.

Place a conductive sheet such as a sheet of copper (with impedance lower than 10Mohm) on the work-desk and place the set on the conductive sheet so that the chassis.

2. Grounding for the test equipment and tools.

Test equipments and toolings should be grounded in order that their ground level is the same the ground of the power source.

3. Grounding for the human body.

Be sure to put on a wrist-strap for grounding whose other end is grounded.

Be particularly careful when the workers wear synthetic fiber clothes, or air is dry.

4. Select a soldering iron that permits no leakage and have the tip of the iron well-grounded.

5. Do not check the laser diode terminals with the probe of a circuit or oscilloscope.

PROTECTION OF EYES FROM LASER BEAM DURING SERVICING

This set employs a laser. Therefore, be sure to follow carefully the instructions below when servicing.

WARNING!!

WHEN SERVICING, DO NOT APPROACH THE LASER EXIT WITH THE EYE TOO CLOSELY. IN CASE IT IS NECESSARY TO CONFIRM LASER BEAM EMISSION, BE SURE TO OBSERVE FROM A DISTANCE OF MORE THAN 30cm FROM THE SURFACE OF THE OBJECTIVE LENS ON THE OPTICAL PICK-UP BLOCK.

Laser Diode Properties

- Material:GaAlAs
- Wavelength:760~800nm
- Emission Duration:continuous
- Laser output:max. 0.5mW*

*This output is the value measured at a distance about 1.8mm from the objective lens surface on the Optical Pick-up Block.

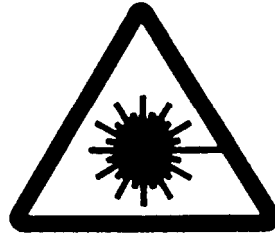
LASER WARNING LABELS

The label shown below are affixed.

CD CAUTION LABEL

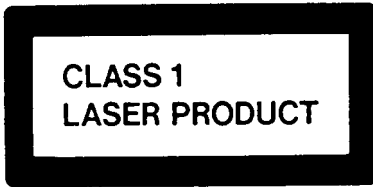
CAUTION
INVISIBLE LASER RADIATION WHEN
OPEN. DO NOT STARE INTO BEAM.

ATTENTION!
RADIATION INVISIBLE DU LASER
QUAND OUVERT. NE PAS REGARDER
FIXEMENT LE RAYON.

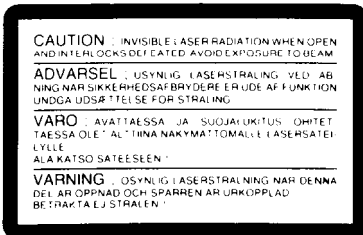


CAUTION: DO NOT REMOVE SCREWS.
ATTENTION: N'ENLEVEZ PAS LES VIS.

CD CAUTION LABEL

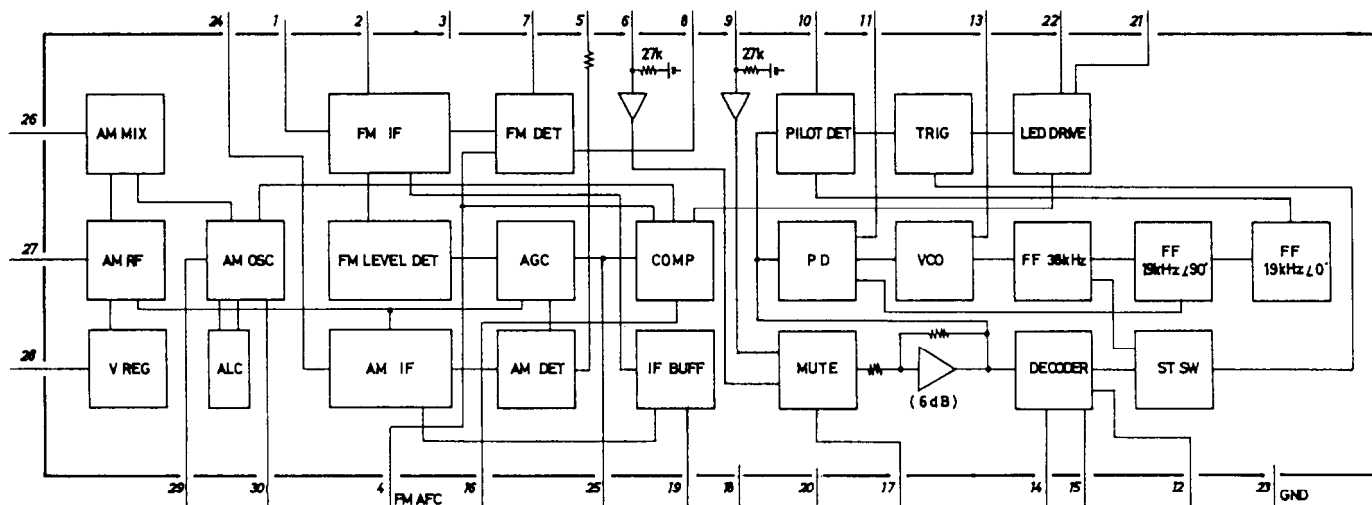


CD CAUTION LABEL

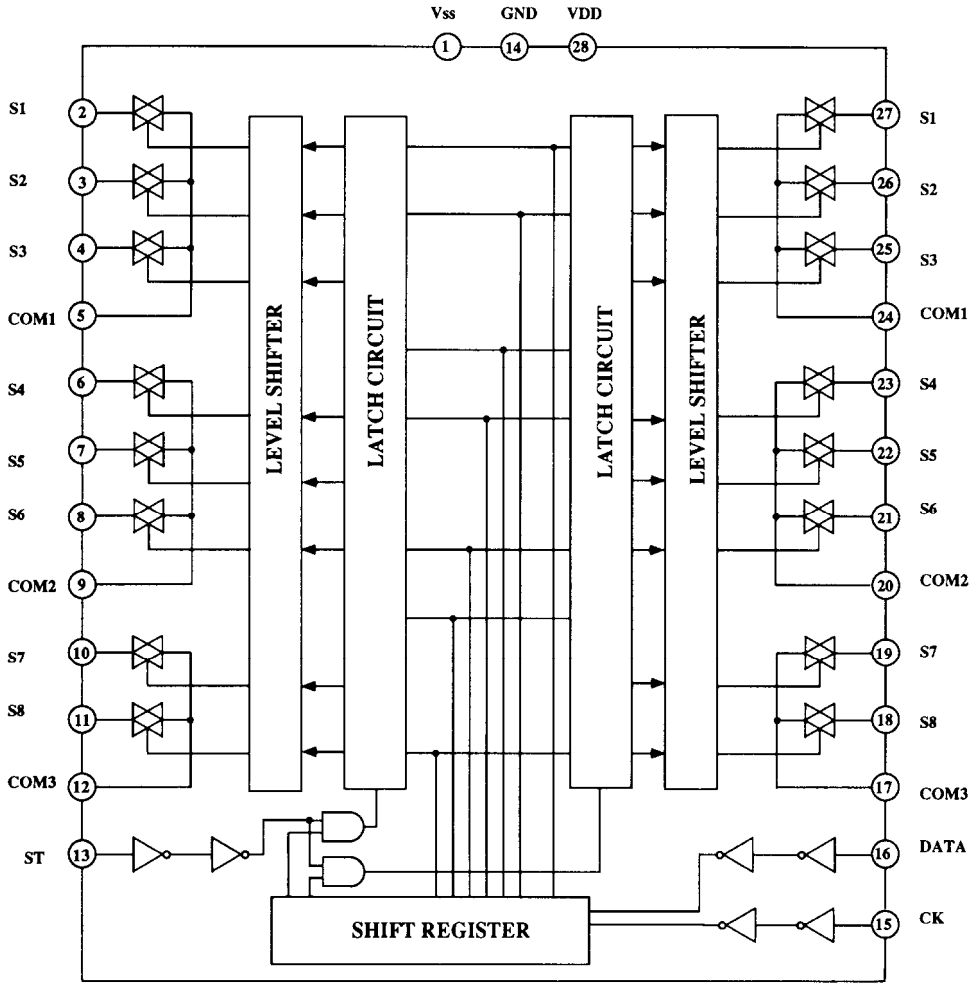


IC BLOCK DIAGRAM-TUNER

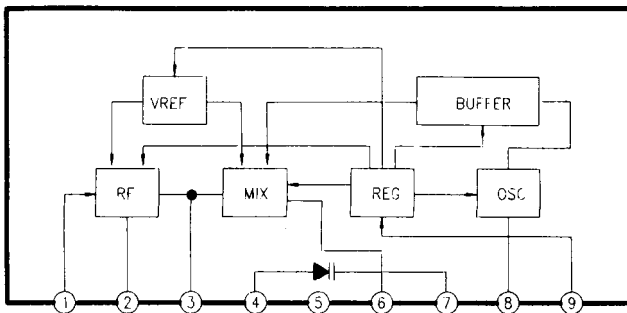
IC101 LA1851N



IC201 TC9163N

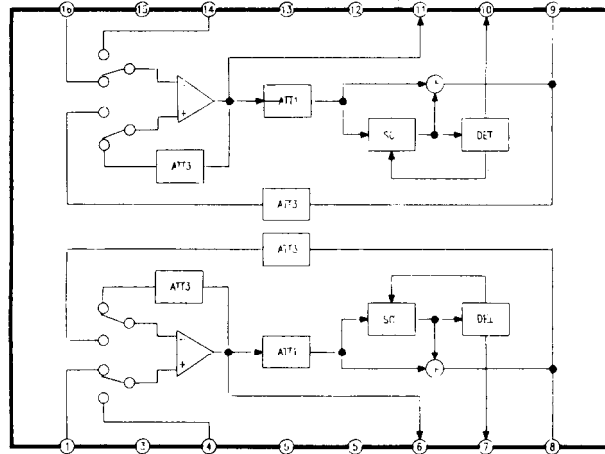


IC501 LA1186N (RF)

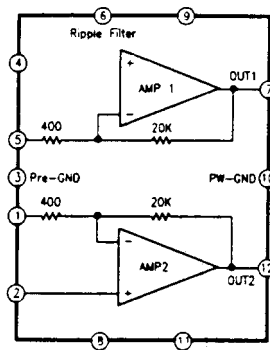


IC BLOCK DIAGRAM-CASSETTE

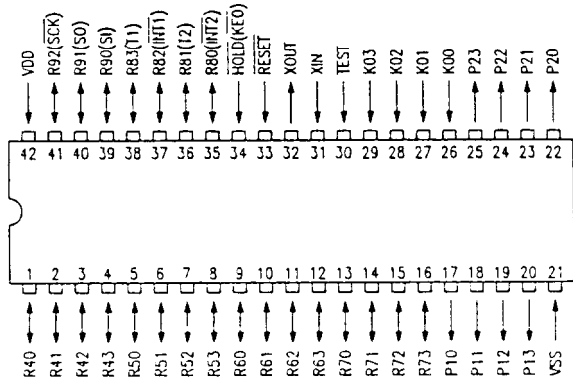
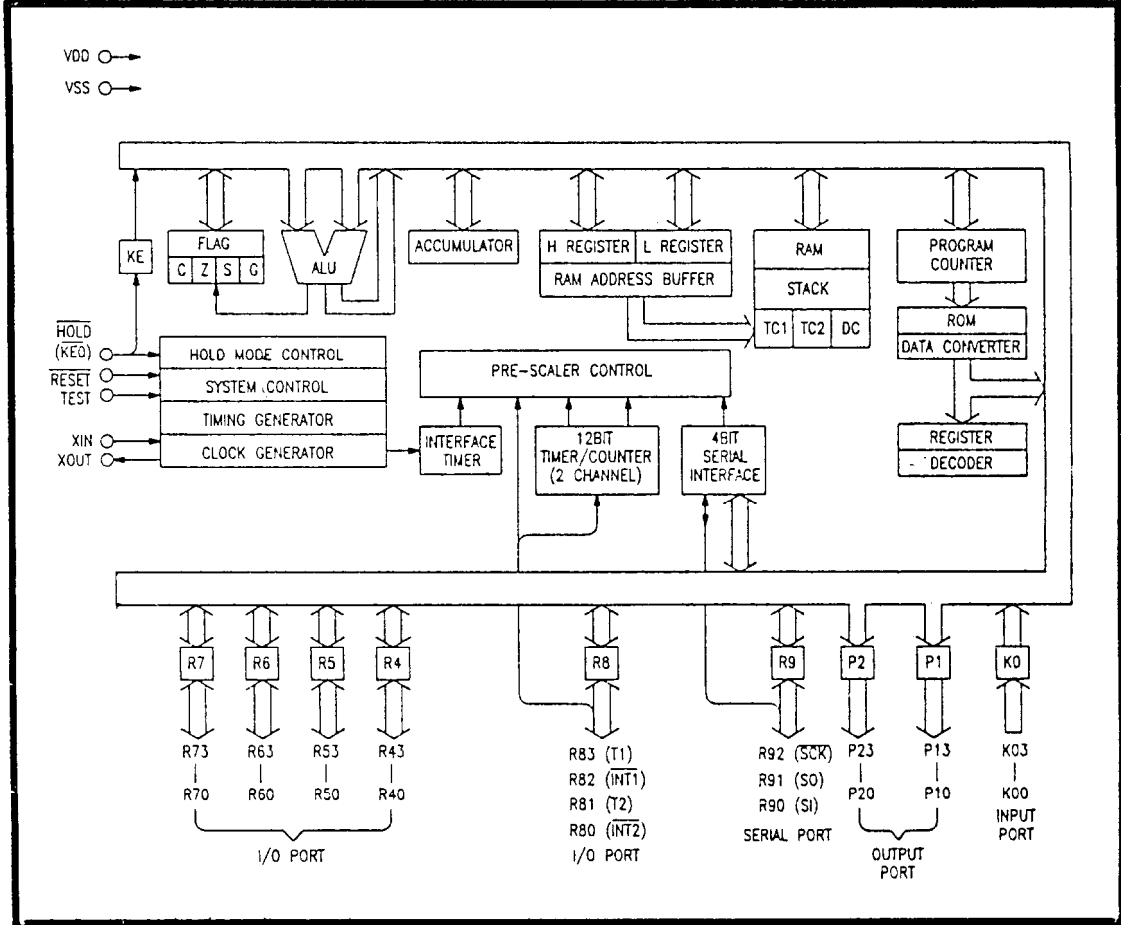
IC503 CXA1101 (DOLBY AMPLIFIER)



IC701 TA8216H

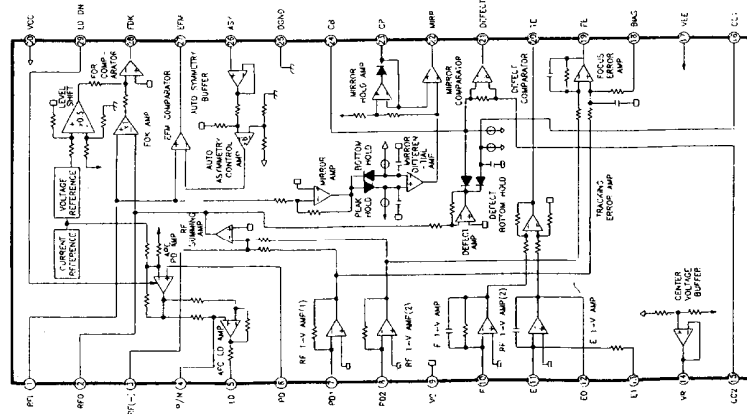


IC601 TC9206-200BN0H301 Internal Block

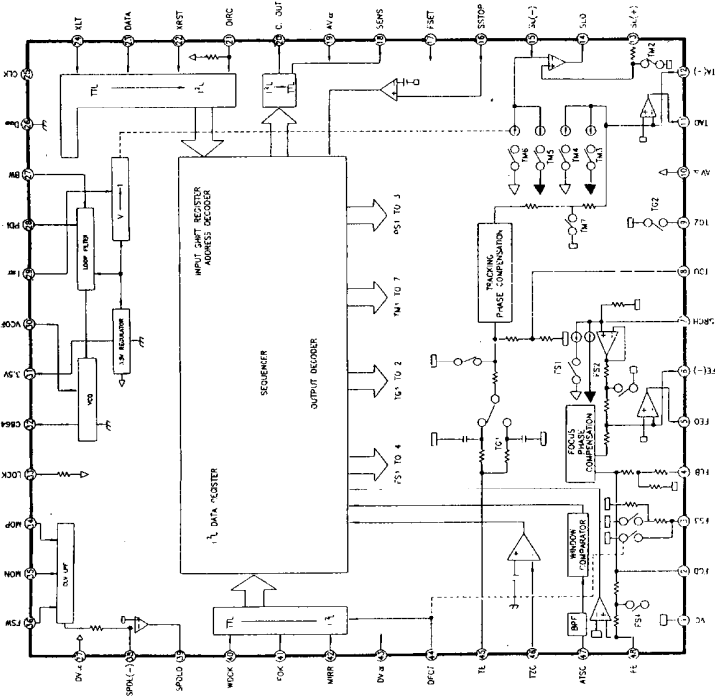


IC BLOCK DIAGRAM-CD

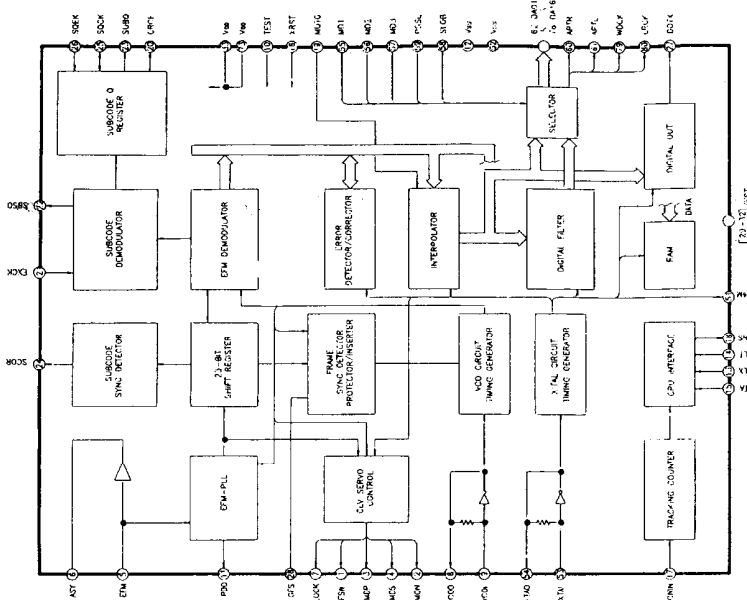
IC01 CXA1081M (RF AMP)



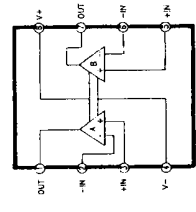
IC02 CXA1082BQ (SERVO SIGNAL PROCESSOR)



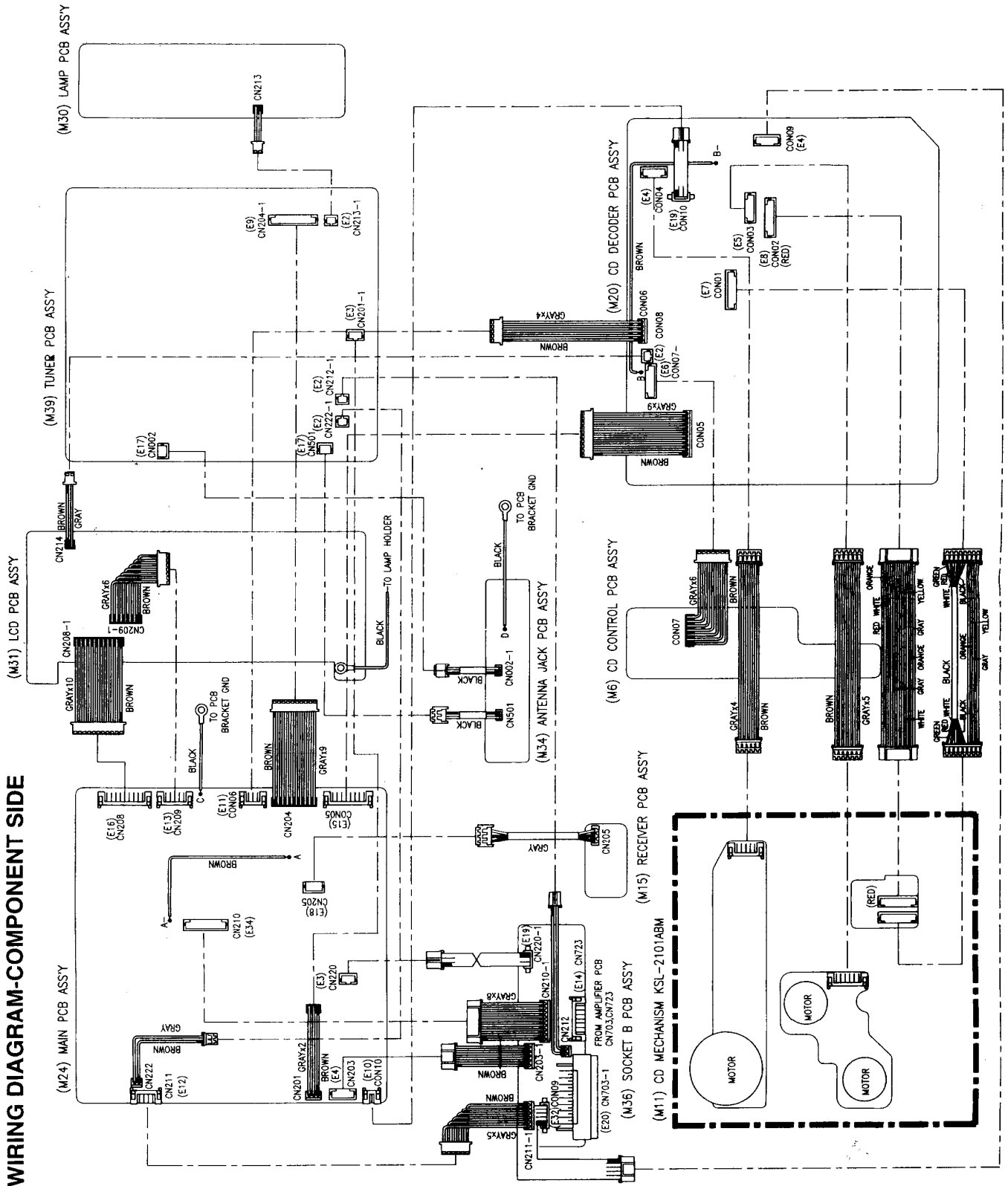
IC03 CXD1167Q (DIGITAL SIGNAL PROCESSOR)



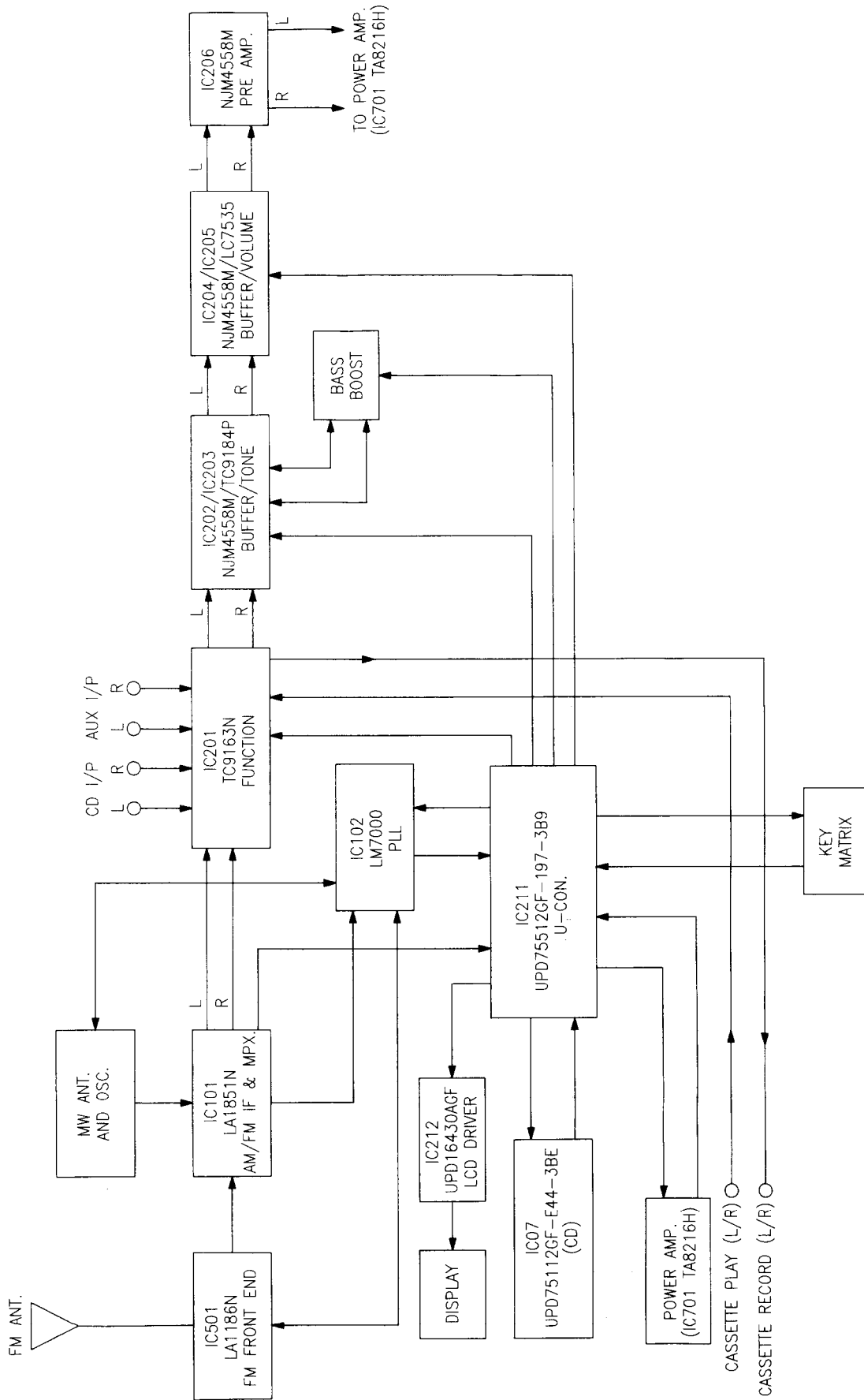
IC06, 07 NJM4558L (BUFFER)



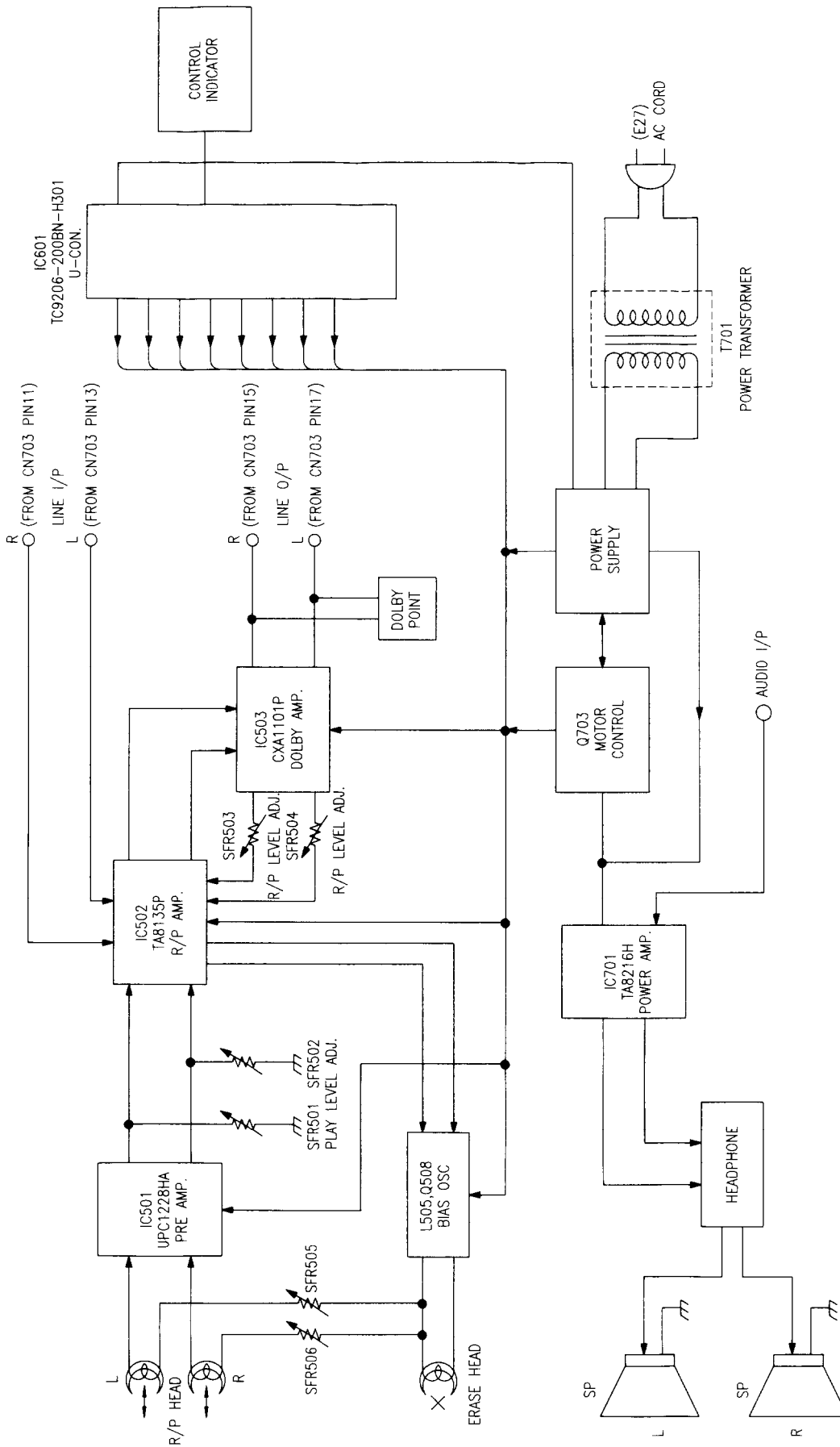
TUNER & CD WIRING DIAGRAM-COMPONENT SIDE



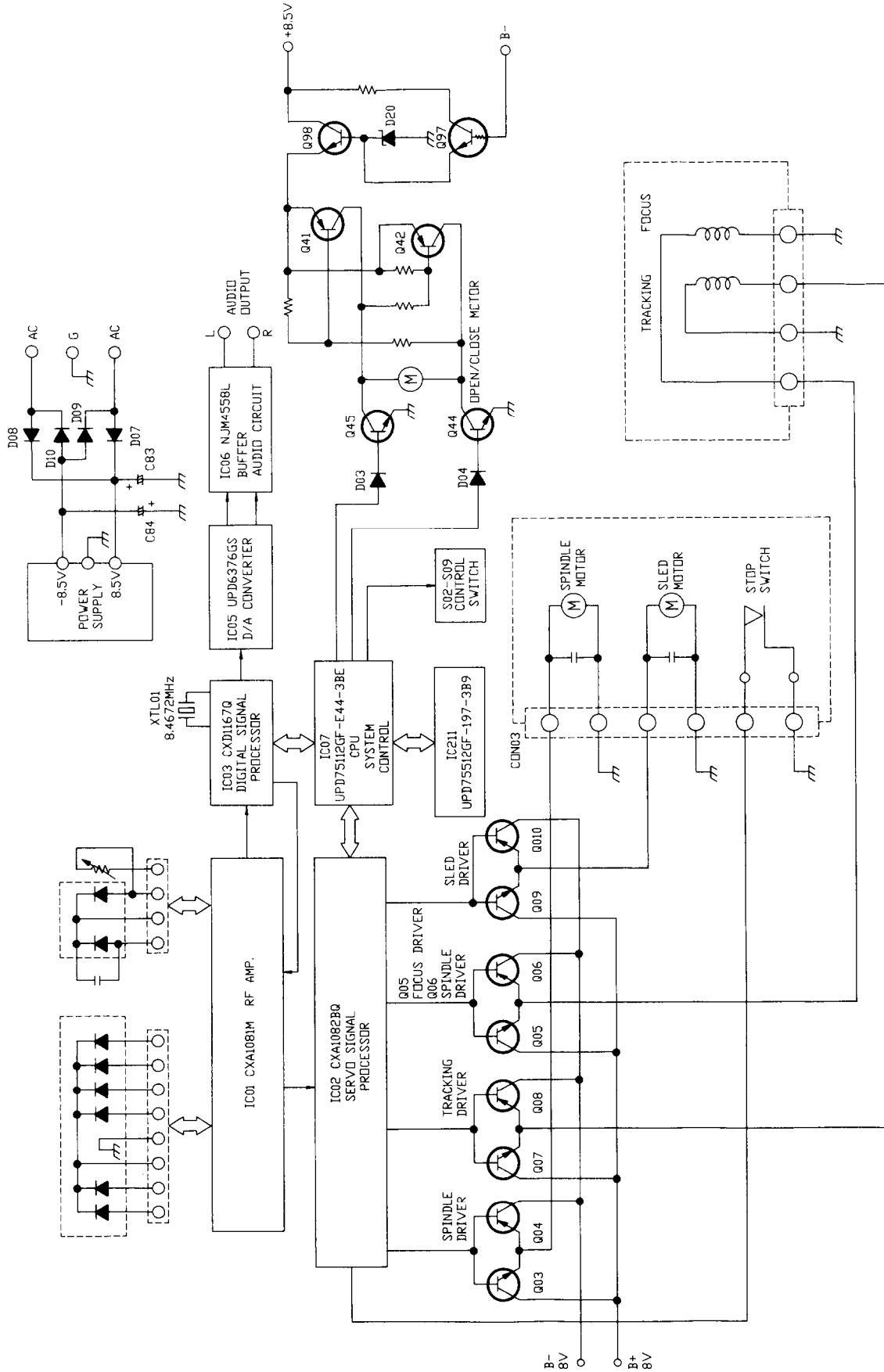
BLOCK DIAGRAM-TUNER/MAIN



BLOCK DIAGRAM-CASSETTE/AMPLIFIER



BLOCK DIAGRAM-CD DECODER

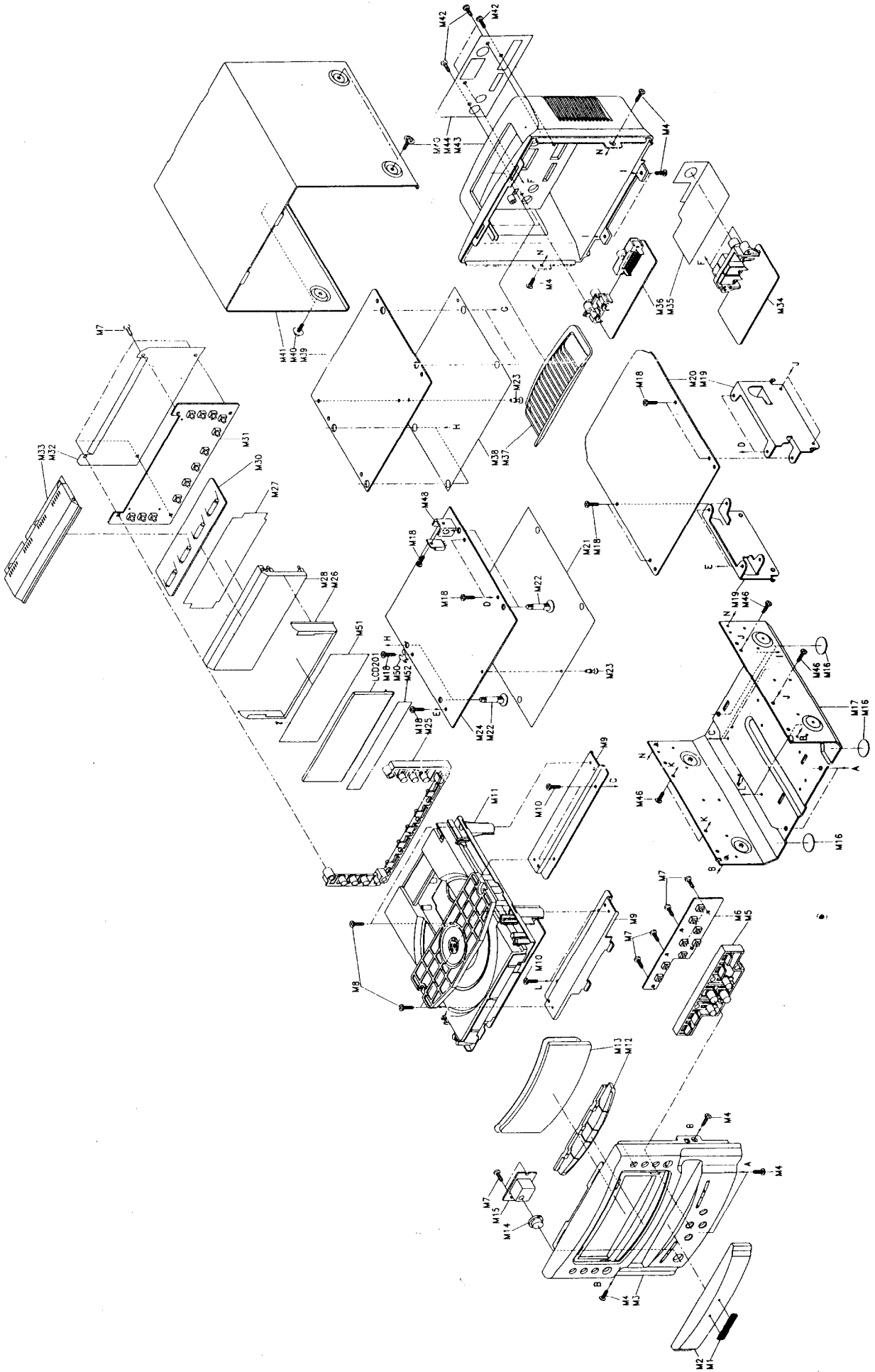


CHASSIS EXPLODED VIEW PARTS LIST-CD/TUNER (CT501)

REF. NO.	PART NO.	DESCRIPTION	REF. NO.	PART NO.	DESCRIPTION
M1	101407134T	Logo Badge	M46	8931300600	FLT3006 ZN3A R5.3, Self-tapping screw 3x6 mm
M2	100206305D	Tray Panel			
M3	100106305D	Front Panel	M48	2012185506	Heat Sink (A), IC208
M4	8932300600	FLT3006 ZN3K R5.3, Self-tapping screw 3x6 mm	M50	2005079551	Earth Washer
M5	100706305D	CD Button Base	M51	200506301D	LCD Lens
M6	C142234220	CD Control P.C. Board Ass'y	M52	2A1816301D	LCD Sheet
M7	8741260800	BID2608 ZN3A, Self-tapping screw 2.6x8 mm	CON01	C488280856 or C488281664	8P Connector Ass'y 280 mm (H:RED)
M9	200206301D	CD Spacer	CON02	C488080921	8P Connector Ass'y 280mm
M10	8641300500	BID3005 ZN3A, Self-tapping screw 3x5 mm	CON03	C48E063011	6P Connector Ass'y 300 mm
M11	C486040405	CD Mechanism KSL-2101ABM	CON04	C48E053011	5P Connector Ass'y 300 mm
M12	100506305D	Tuning Button A		100806305D	CD Control Button A
M13	100306305D	Display Window		100906305D	CD Stop Knob
M14	101106305D	Sensor Lens		101806305D	CD Play Knob
M15	C044236640	Receiver P.C. Board Ass'y		101006305D	Tuning Control Button
M16	200706301D	Foot		100606305D	Tuning Button B
M17	200116301D	Main Chassis		2000000144	Bind type "A"
M18	8941300600	BID3006 ZN3A, Self-tapping screw 3x6 mm		201506301D	Insulator, F
M19	200606301D	PCB Bracket		201016301D	Diffusing Film
M20	C142234210	CD Decoder P.C. Board Ass'y		9060010890	Rating Serial NO. Label <D>
M21	201306301D	Shield Plate, MN		9060010900	Rating Serial NO. Label <P><V>
M22	201106301D	PCB Support SCC-19		9100019370	Service Label <D>
M23	2000000145	P-Rivet 3x4.5		9100019460	Service Label <P><V>
M24	C144236613	Main P.C. Board Ass'y <D>		9000002311	CD Caution Label (B) <D>
	C144236614	Main P.C. Board Ass'y <P>		9000002970	CD Caution Label (B) <P><V>
	C144236611	Main P.C. Board Ass'y <V>		8941300800	BID3008 ZN3A, Self-tapping screw 3x8 mm
M25	100406305D	Tuning Base		9000003630	CD Caution Label (B12) <P><V>
M26	200906301D	Reflection Sheet		2A3006305D	LCD Sheet A (60x15x0.4)
M27	2A1716301D	Lens Mask		2A3106305D	LCD Sheet B (25x15x0.4)
M28	2A0816301D	Lamp Holder			
M30	C044236630	Lamp P.C. Board Ass'y			
M31	C142236810	LCD P.C. Board Ass'y			
M32	201406301D	Shield Plate, F			
M34	C144236910	Socket B P.C. Board Ass'y <D><P>			
	C144236911	Socket B P.C. Board Ass'y <V>			
M36	C142236822	Antenna Jack P.C. Board Ass'y <D>			
	C142236821	Antenna Jack P.C. Board Ass'y <P>			
	C144236921	Antenna Jack P.C. Board Ass'y <V>			
M37	101306301D	Fin			
M38	201206301D	Shield Plate, T			
M39	C144236623	Tuner P.C. Board Ass'y <D>			
	C144236620	Tuner P.C. Board Ass'y <P>			
	C144236624	Tuner P.C. Board Ass'y <V>			
M40	8962300600	CUP3006 ZN3K, Self-tapping screw 3x6 mm			
M41	100406301D	Top Cover			
M42	8742301000	BID3010 ZN3K, Self-tapping screw 3x10 mm			
M43	101606305D	Rear Cover			
M44	101206305D	Back Plate <D>			
	101406305D	Back Plate <P><V>			

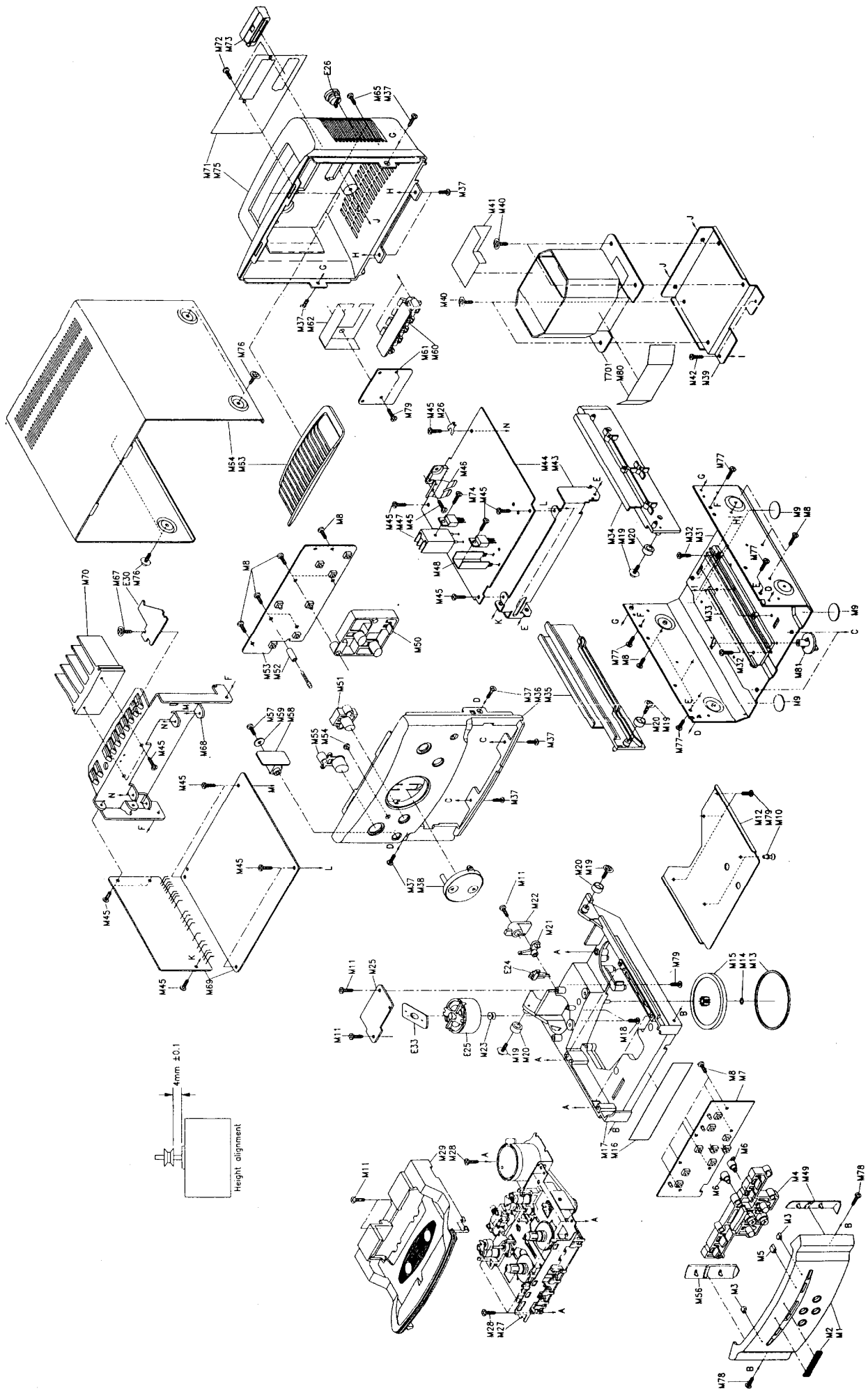
NOTE: <P> : 230V model only
<D> : American model only
<V> : Germany model only

EXPLODED VIEW-CD/TUNER (CT-501)



MPC-501 MPC-501


EXPLODED VIEW-AMPLIFIER/CASSETTE DECK (KA-501)



CHASSIS EXPLODED VIEW PARTS LIST-AMPLIFIER/CASSETTE DECK (KA-501)

REF.NO.	PART NO.	DESCRIPTION	REF.NO.	PART NO.	DESCRIPTION
M1	100204305A	CASSETTE PANEL	M65	8642300800	6BID3008 ZN3K, SCREW
M3	101104301A	LED LENS A	M68	200604301A	FIXTURE
M4	100404305A	CASSETTE CONTROL BUTTON	M69	C142236110	CASSETTE PC BOARD ASS'Y
M4	100804305A	CASSETTE PLAY BUTTON	M70	200714301A	HEAT SINK
M4	100904305A	CASSETTE STOP BUTTON	M71	101204305A	BACK PLATE
M5	101004301A	LED LENS B	M72	8742301000	7BID3010 ZN3K, SCREW
M6	101504305A	DIRECTION LENS	M73	3021210011	W.FLAT-A-11-MS-ZN3A
M7	C142236120	CASSETTE CONTROL PC BOARD ASS'Y	M74	8662300800	6CUP3008 ZN3K, SCREW
M8	8741260800	7BID2608 ZN3A, SCREW	M75	1A0314301A	REAR PANEL
M9	200706301D	FOOT	M76	8662300600	6CUP3006 ZN3K, SCREW
M10	2000000145	P-RIVET, 3X4.5	M77	8631300600	6FLT3008 ZN3A R5.3, SCREW
M11	8741301000	7BID3010 ZN3A, SCREW	M78	8732300800	7FLT3008 ZN3K, SCREW
M12	201804301A	TRAY BOTTOM PLATE	M79	8741300800	7BID3008 ZN3A, SCREW
M13	201104301A	LOADING BELT 51mm	M81	203104301A	TRAY LOCK
M15	200507131J	MOTOR PULLY		9000001420	CAUTION LABEL <D>
M16	202704301A	INSULATE PLT CASSETTE		9000001700	CAUTION LABEL <D>
M17	000304301A	TRAY BASE ASS'Y		9000003650	CAUTION LABEL <D>
M18	8141260400	1BID2604 ZN3A, SCREW"	E24	4400000121	LSC-1223-31, LEAF SWITCH
M19	8761260608	7CUP2606 ZN3A 8D, SCREW	E25	4029125001	RF-500TB-12560, MOTOR
M20	2A2817131J	PULLEY (SIDE)	E26	4580500006	SR4K-6(BLK), CORD STOPPER
M25	C145236320	MOTOR PC BOARD ASS'Y		463137L071	UL/CSA 7FT BLK SPT2, AC CORD
M27	4380404800	CASSETTE DECK TN-1800ZU-146	F701,F702	5267100L60	UL/CSA T1A/250V, FUSE <P>
M28	8742300800	7BID3008 ZN3K, SCREW		5266100020	UL/CSA T1A/125V, FUSE <D>
M29	101404301A	CASSETTE COVER	F705	5267315L60	UL/CSA T3.15A/125V, FUSE <P>
M31	200116301D	MAIN CHASSIS		5266315020	UL/CSA T3.15A/125V, FUSE <D>
M32	8641260500	6BID2605 ZN3A, SCREW	T701	420C662123	EI-66(E), POWER TRANSFORMER
M33	200404301A	LOADING GEAR			
M34	200304301A	TRAY GUIDE R			
M35	2A0214301A	TRAY GUIDE L			
M36	100104305A	FRONT PANEL			
M37	8632300600	6FLT3006 ZN3K, SCREW			
M38	100504305A	VOLUME KNOB			
M39	200804301A	X'FORMER BRACKET			
M40	8661400600	6CUP4006 ZN3A, SCREW			
M42	8641300500	6BID3005 ZN3A, SCREW			
M43	200904301A	PCB BRACKET			
M44	C141236202	AMP PC BOARD ASS'Y			
M45	8641300800	6BID3008 ZN3A, SCREW			
M46	2012076076	SPRING TRANSISTOR (B)			
M47	202204301A	HEAT SINK AUX			
M49	101804301A	TRAY STRIP R			
M50	101004305A	CASSETTE WINDOW BUTTON			
M50	100304305A	FUNCTION BUTTON			
M51	100704305A	B.BOOST BUTTON			
M53	C145236350	VOLUME SWITCH PC BOARD ASS'Y			
M54	101304301A	STAND BY LENS			
M55	100604305A	POWER KNOB			
M56	101704301A	TRAY STRIP L			
M57	8732260800	7FLT2608 ZN3K, SCREW			
M58	C145236330	HEADPHONE PC BOARD ASS'Y			
M60	C145236310	SPEAKER TERMINAL PC BOARD ASS'Y			
M61	C042237212	VOLTAGE SELECT PC BOARD ASS'Y			
M63	101604301A	FIN			
M64	100704301A	TOP COVER			

NOTE: <P> : 230V model only
<D>: American model only

NOTE: THE COMPONENTS IDENTIFIED BY MARK  ARE CRITICAL FOR RISK OF FIRE AND ELECTRIC SHOCK. REPLACE ONLY WITH PART NUMBER SPECIFIED.

TUNER ADJUSTMENT

TUNER PC BOARD ADJUSTMENT LOCATION

TUNER PCB

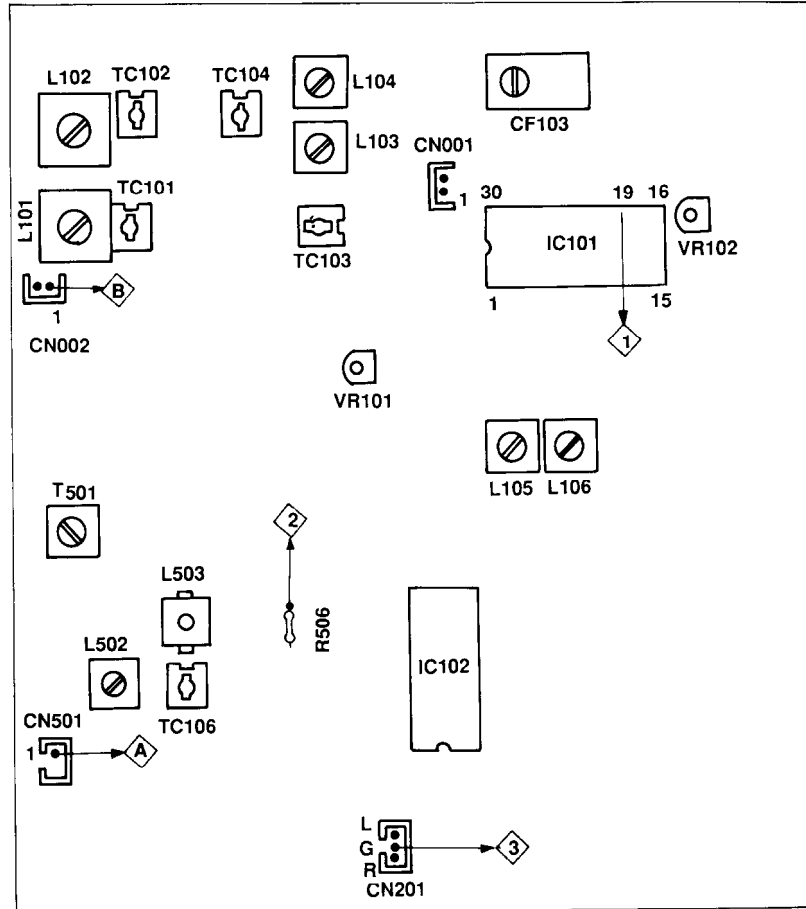


Figure 1

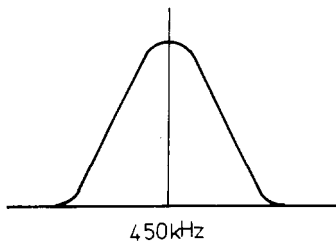


Figure 2

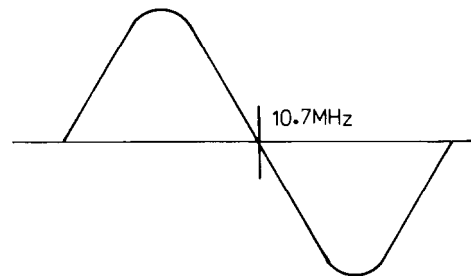


Figure 3

TUNER ADJUSTMENTS

Equipment required:

1. AM signal generator
2. FM signal generator
3. VTVM
4. DC voltmeter

Notes:

1. Signal input must be as low as possible to avoid overload and clipping. (Use highest sensitivity of output indicator.)
2. Volume control at maximum.
3. Standard modulation is 400Hz at 30% amplitude for AM, 1000Hz at 22.5kHz deviation for FM (Mono).
4. Connect 8 ohm load across speaker jack.

MW IF Adjustment

Signal Source	Signal Generator Frequency	Output	Frequency Setting	Adjustment	Remarks
MW IF sweep generator connected to CN002 pin 1 & GND. ⓑ	Sweep centered 450kHz	Oscilloscope connected to IC101 pin 19 & GND. Ⓛ	Tuning to 1000kHz	CF103 (See Fig. 1)	Adjust for maximum & symmetrical curve. (See Fig. 2)

MW RF adjustment

Signal Source	Signal Generator Frequency		Output	Frequency Setting	Adjustment	Remarks
MW signal generator connected to CN002 pin 1 & GND. ⓑ	MW	531kHz	DC meter across R506 & GND. Ⓜ	Lowest freq.	L103 (See Fig. 1)	DC meter 1V ± 0.05V
	MW	1602kHz		Highest freq.	TC103 (See Fig. 1)	DC meter 8V ± 0.05V
Repeat adjustments until the DC values are achieved.						
ⓑ	MW	603kHz	VTVM connected to CN211 pin 1 & pin 3. Ⓝ	MW	603kHz	L101 (See Fig. 1)
	MW	1404kHz		MW	1404kHz	TC101 (See Fig. 1)
Repeat adjustments as necessary to minimise tracking error.						

FM IF Adjustment

Signal Source	Signal Generator Frequency	Output	Frequency Setting	Adjustment	Remarks
FM IF sweep generator connected to CN501 Ⓐ	Sweep centered 10.7MHz	Oscilloscope connected to IC101 pin 19 & GND. ①	Tuning to 98MHz	T501 (See Fig. 1)	Adjust for maximum & symmetrical curve. (See Fig. 3)

FM RF Adjustment

Signal Source	Signal Generator Frequency	Output	Frequency Setting	Adjustment	Remarks
FM signal generator connected to CN501 Ⓐ	87.5MHz	DC meter across ② & GND.	87.5MHz	L503 (See Fig. 1)	DC meter to indicate $1.2V \pm 0.05V$
	108MHz		108MHz	-	DC meter to indicate $7.5V \pm 0.5V$
	Repeat adjustments until the DC values are achieved.				
	90MHz	VTVM connected to CN201-1 (L) & (R). ③	90MHz	L502 (See Fig. 1)	Adjust for maximum output
	106MHz		106MHz	TC106 (See Fig. 1)	
	Repeat adjustment as necessary to minimise tracking error.				

FM IF Offset Adjustment

Signal Source	Signal Generator Frequency	Output	Frequency Setting	Adjustment	Remarks
FM signal generator connected to CN501 Ⓐ	98MHz Mod. 22.5kHz 1mV	DC Voltmeter connected across CN001	98MHz	L105 (See Fig. 1)	$0V \pm 30mV$

FM Auto Tuning Adjustment

Signal Source	Signal Generator Frequency	Output	Frequency Setting	Adjustment	Remarks
FM signal generator connected to CN501 Ⓐ	98MHz Mod. 22.5kHz 8.9 μ V	Display (LCD201)	98MHz	VR101 (See Fig. 1)	Adjust until "TUNED" appear in the display.

AM Auto Tuning Adjustment

Signal Source	Signal Generator Frequency	Output	Frequency Setting	Adjustment	Remarks
AM signal generator connected to CN002 Ⓑ	1000kHz 1mV	Display (LCD201)	1000kHz	VR102 (See Fig. 1)	Adjust until "TUNED" appear in the display.

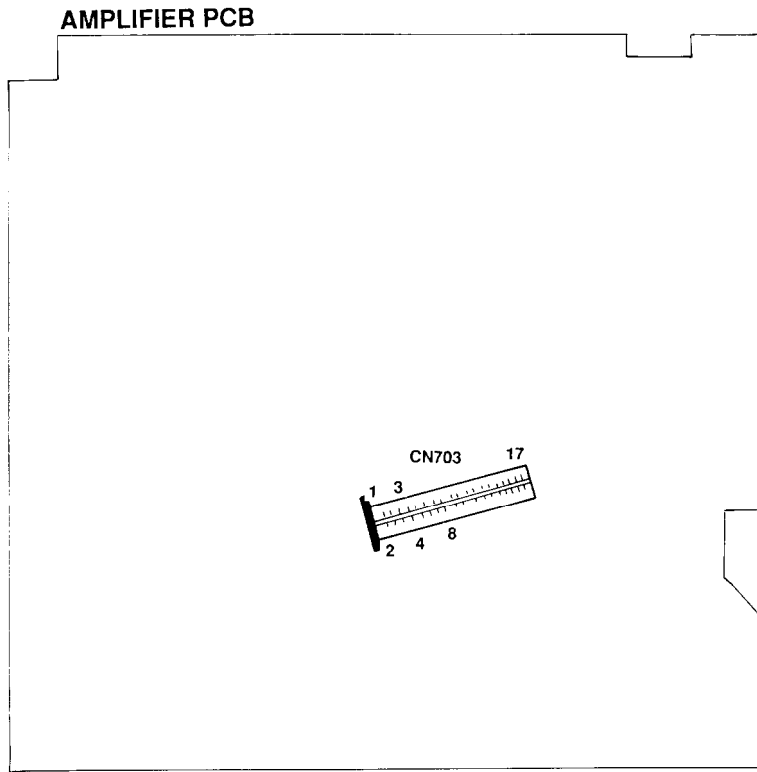


Figure 4

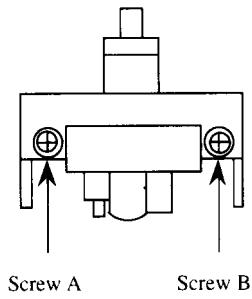


Figure 5

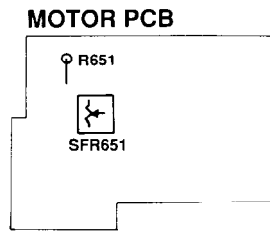


Figure 6

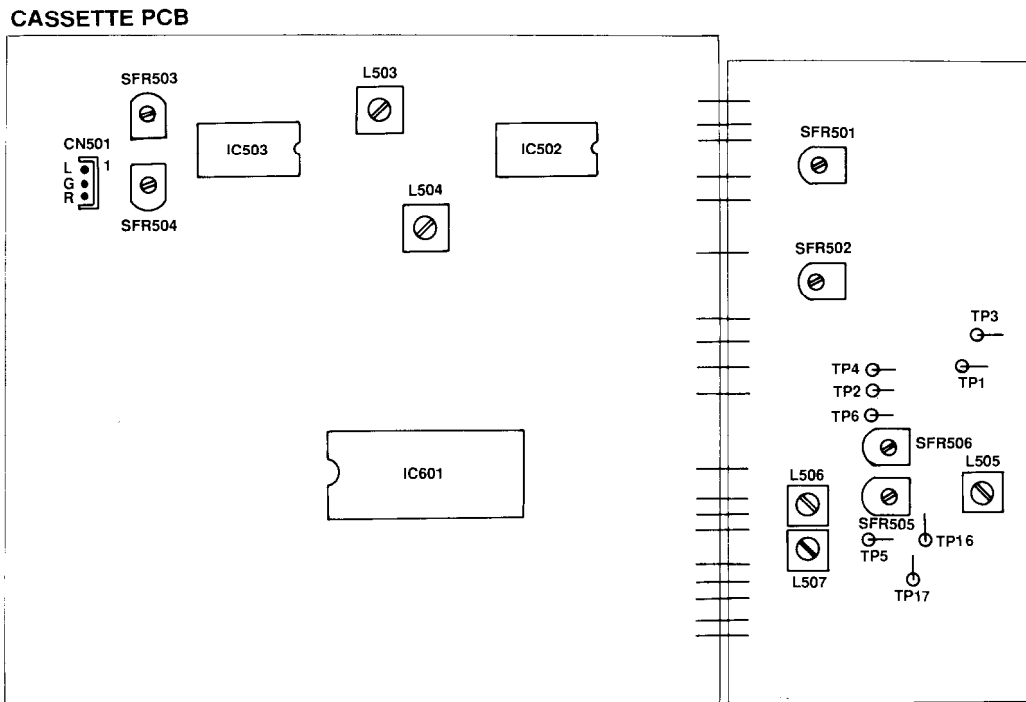


Figure 7

TAPE ADJUSTMENTS

ADJUSTMENT	CASSETTE	SK...	TAPE DECK POSITION	READ ON	MESURE ON	ADJUST WITH	ADJUST TO
Azimuth	10kHz TCC-153	Tape	Play fwd	VTVM	CN501	Screw A	MAX L=R
			Play rev	VTVM	CN501	Screw B	
Motor speed (normal)	3000Hz MTT-111N	Tape	Play fwd	Frequency counter	CN501	SFR651	3000Hz **
			Play rev				

** The maximum permissible speed deviation is +3%/-2% moreover, the wow and flutter value can be read.
This value should not exceed 0.3%.

Remark : Using short wire connect between 0 ohm resistor (R651) on motor PCB and GND (chassis),
and let cassette deck tray remain outward during adjustment procedures.

ADJUSTMENT	CASSETTE	INPUT	SK...	ADJUST WITH	READ ON	ADJUST TO
Play level	MTT-150		Play fwd	SFR502 (R) SFR501 (L)	VTVM *1	548mV ± 1dB
			Play rev			
19kHz filter	SBC420	19kHz/100mV CN703 Pin 4 & Pin 8	Record	L504 (R) L503 (L)	VTVM *1	Minimum output for both channels < 10mV
OSC. frequency	SBC420		Record	L505	Frequency counter *2	105kHz ± 3kHz
Bias leakage	SBC420		Record	L506 (R) L507(L)	Scope *3 Scope *4	Minimum output for both channels < 150mV
Bias current	SBC420		Record	SFR506 (R) SFR505 (L)	VTVM *5 VTVM *6	4.2mV
R/P level	SBC420	400Hz/25mV CN703 Pin 4 & Pin 8	Record	SFR504 (R) SFR503 (L)	VTVM *1	200mV ± 1dB

*1 Connected to CN501 (Dolby Output)

*2 Connected across TP16 & TP17 (GND).

*3 Connected across TP6 & TP17. (R-Channel)

*4 Connected across TP5 & TP17.(L-Channel)

*5 Connected across TP2 & TP4.(R-Channel)

*6 Connected across TP1 & TP3.(L-Channel)

CD ADJUSTMENTS

CAUTION:

Laser beam may always active when the turntable removed.

Use of controls for adjustments or performance of procedures other than those specified herein may result in hazardous radiation exposure.

The compact disc player should not be adjusted or repaired by anyone except properly qualified service personnel.

1. VCO Adjustment

- CD test disc SBC426A (Test disc 5A) into CD tray.
- Power ON & CD ON, CD in stop mode.
- Base 3 pin 2 & pin 3 short, digital counter connected to base 3 pin 1 & GND. (See Fig. 8)
- Adjust SFR03 for a counter reading of $4.233\text{MHz} \pm 10\text{kHz}$. (See Fig. 8)

2. RF Bias Adjustment

- DC voltmeter connected to base 4. (See Fig. 8)
- CD in stop mode.
- Adjust SFR02 for a meter reading of $-50\text{mV} \pm 5\text{mV}$. (See Fig. 8)

3. EF Balance Adjustment

- Base 2 pin 2 & pin 3 short, oscilloscope connected to base 2 pin 1 & GND. (See Fig. 8)
- CD in play mode.
- Adjust SFR01, let the waveform shown as A=B. (See Fig. 9)

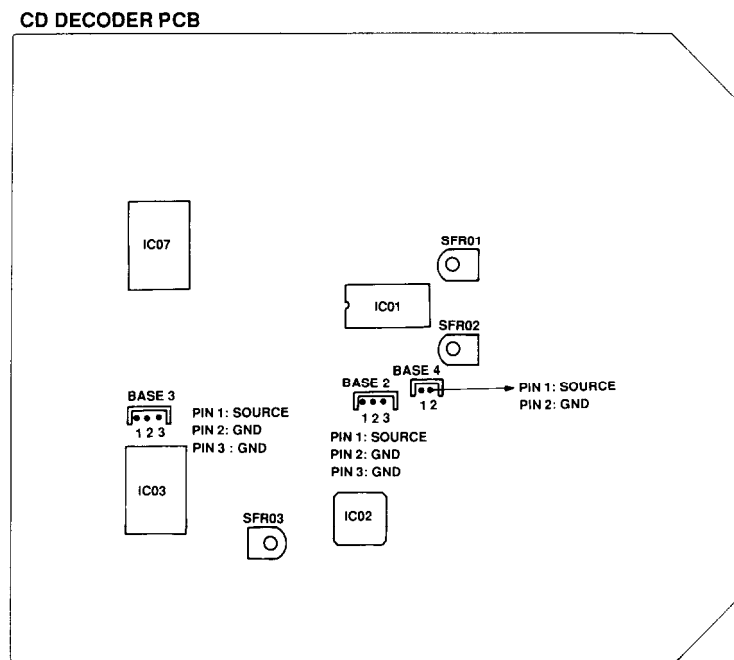


Figure 8

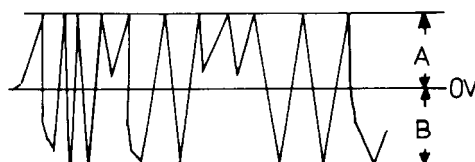


Figure 9

PC BOARD PARTS LIST-AMPLIFIER/CASSETTE DECK (KA-501)

CIRCUIT NO.	PART NO.	DESCRIPTION	CIRCUIT NO.	PART NO.	DESCRIPTION
CASSETTE PC BOARD ASS'Y (C142236110)					
	ICS				
IC501	222905	UPC1228HA	CN501	4490301002	EH 3P(2.5), MALE
IC502	415308135P	TA8135P	CN708,CN716	4490501004	PH 5P, MALE
IC503	22240086	CXA1101P	CN709	4490301004	PH 3P, MALE
IC601	41539206H1	TC9206-200BN-H301	CN710,CN717	4490201004	PH 2P(2.0), MALE
IC602	222780053	UPC78L05J	CN711	4490701004	PH 7P, MALE
	TRANSISTORS		CN712	4490901004	PH 9P, MALE
Q501,Q502	2213060	DTC124ES	CN714	4491201004	PH 12P(2.0), MALE
Q503-Q506	2210353	2SC945-P			
Q507	2210184	2SA733-Q	CIRCUIT NO.	PART NO.	DESCRIPTION
Q508	2211771	2SC2001-K	CASSETTE CONTROL PC BOARD ASS'Y (C142236120)		
Q509	2212714	2SA934-R		DIODES	
Q510,Q511	221299	DTC114TS	D615,D619	41206264GT	3Q 264GT, LED
Q510A	2210184	2SA733-Q	D616,D617	41216264GI	264GT-TR2-11, LED
Q512,Q513	2210184	2SA733-Q	D618	41206264IT	3Q 264IT, LED
Q514-Q517	2210353	2SC945-P		SWITCHES	
Q518,Q608	2210184	2SA733-Q	TC601-TC609	4400000156	SKHVBE3520-CP, TACT
Q519,Q520	221299	DTC114TS			
Q601,Q602	410500952L	2SA952L	CIRCUIT NO.	PART NO.	DESCRIPTION
Q603	2211771	2SC2001-K	SPEAKER TERMINAL PC BOARD ASS'Y (C145236310)		
Q604,Q605	2212714	2SA934-R		HOLDER	
Q606,Q612	410522060R	2SC2060R	N702	4490400261	4P20, WIRE HOLDER
Q611	2210353	2SC945-P		TERMINAL	
Q613,Q614	221299	DTC114TS	JK702	4560004045	HSP-114V
Q615	2213090	DTA114YS			
	DIODES		CIRCUIT NO.	PART NO.	DESCRIPTION
D501-D509,D511	4121901760	1SS176	MOTOR PC BOARD ASS'Y (C145236320)		
D512	4121901760	1SS176		RESISTOR	
D601,D602	4121141480	1N4148	SFR651	5226222146	2.2KB, TRIM
D603	4138104002	1N4002L		CONNECTORS	
D604,D605	4121141480	1N4148	CN708A	4490201004	PH 2P(2.0), MALE
D606	2239452	RD5.1E-B2	CN718	4490401004	PH 4P, MALE
D607,D608,D622	4121141480	1N4148	CN718B	4490301004	PH 3P, MALE
D609-D612	4121901760	1SS176	CIRCUIT NO.	PART NO.	DESCRIPTION
D620,D621	4121901760	1SS176	HEADPHONE PC BOARD ASS'Y (C145236330)		
D623-D625	4121901760	1SS176		JACK	
	CAPACITOR		JK701	4500100257	LGS507-0202(S.M.K)
C601	3000076	5R5T104	CIRCUIT NO.	PART NO.	DESCRIPTION
	COILS		VOLUME SWITCH PC BOARD ASS'Y (C145236350)		
L503,L504	4360400720	TWS-358-682, MPX TRAP		DIODE	
	COIL		D801	4120602042	3Q EL204IT, LED
L505	4330801190	TWS-358-693, BIAS		SWITCHES	
	OSCILLATOR COIL		S801-S803	4400000156	SKHVBE3520-CP
L506,L507	4360900520	TWS-358-533, BIAS TRAP	S804,S805	4400000160	SKHVBL3720CPT
	COIL		S806,S807	4400000156	SKHVBE3520-CP
L601	4327247181	CHOKE COIL		HOLDER	
	RESONATOR			202104301A	LED HOLDER 12
X601	41609419MG	CST4.19MGW	CIRCUIT NO.	PART NO.	DESCRIPTION
	RESISTORS		VOLTAGE SELECT PC BOARD ASS'Y (C042237212)		
SFR501,SFR502	5226103177	10KX, TRIM		TERMINAL	
SFR503,SFR504	5226203177	20KX, TRIM		000000843	TERMINAL L
SFR505,SFR506	5226503177	50KX, TRIM			

CIRCUIT NO. PART NO. DESCRIPTION
RESET PC BOARD ASS'Y (C141240000)

CIRCUIT NO.	PART NO.	DESCRIPTION
	TRANSISTOR	
Q719	221299	DTC114TS
	DIODE	
D726,D727	4121901760	1SS176
	JOINT	
CN719	4490300140	3P

NOTE: <P> : 230V model only
 <D> : American model only

NOTE: THE COMPONENTS IDENTIFIED BY MARK ARE CRITICAL FOR RISK OF FIRE AND ELECTRIC SHOCK. REPLACE ONLY WITH PART NUMBER SPECIFIED.

CIRCUIT NO. PART NO. DESCRIPTION
AMP PC BOARD ASS'Y (C141236202)

CIRCUIT NO.	PART NO.	DESCRIPTION
	ICS	
IC701	415308216H	TA8216H
IC703	222780052	L78M05
	TRANSISTORS	
Q703,Q718	410030313D or 410030313E	2SD313D or 2SD313E
Q705,Q712, Q713,Q715	41500733P or 41500733Q	2SA733P or 2SA733Q
Q706	410010826R	2SB826R
Q707	410523244D	2SC3244D
Q708,Q716	41520945P or 41520945Q	2SC945P or 2SC945Q
Q709-Q711,Q714	221299	DTC114TS
	DIODES	
D701-704	4138104002	1N4002L
D705	223965	RD13E-B
D706	4121901760	1SS176
D708,711-D714	4138104002	1N4002L
D710	4121141480	1N4148
D715	4138150015	GP15B-5009L
D716	4138104002	1N4002L
D718,D721,D722A	4121141480	1N4148
D717,D719,D720	4121901760	1SS176
D722	224452202	MTZ22B
D725	4121901760	1SS176
	CONNECTORS	
CN701	4490601003	PH 6P, MALE
CN702	4490401004	PH 4P, MALE
CN703	4491700290	FTW 17P(1.5), MALE
CN704	4490201002	EH 2P(2.5), MALE
CN705	4490801004	PH 8P, MALE
CN706	4491201004	PH 12P, MALE
CN707,CN722	4490201004	PH 2P(2.0), MALE
CN720	4490601004	EH 6P, MALE
CN721	4490201001	XH 2P, MALE
CN723	4490901004	PH 9P, MALE
	FUSE HOLDERS	
F701,F702,F705	4692000034	PFC5000-0202T
	FUSE LABELS	
	9030006790	1A/125V, F701 <D>
	9030006820	1A/125V, F702 <D>
	9030006810	3.15A/125V, F705 <D>
	RESISTOR	
	△4181010957	R.1W 10HM, FUSE

PC BOARD PARTS LIST-CD/TUNER (CT-501)

CIRCUIT NO.	PART NO.	DESCRIPTION	CIRCUIT NO.	PART NO.	DESCRIPTION
LCD P.C. BOARD ASS'Y			IC210	415978L05A or 4157780053	NJM78L05A or MC78L05CT
IC212	ICs 4151164301	μPD16430AGF	IC211	4151755121	μPD75512GF-205-3B9
LCD 201	LCD 4110440215	HLC-8388-012410	IC213	415G00520D	PST520D
S201-S213	Switches 4400000160	SKHVBL3720CPT, Tact	Q201L/R,Q204 Q205	Transistors 410920114T 41092114YS	DTC114TS DTC114YS
CN208-1	Connectors C48D111612	11P PH 160 mm	D201,D203, D260	Diodes 4121141480	1N4148
CN209-1	C48D071612	7P PH 160 mm	D202A,D206, D210,D212, D213,D215, D217, D261	4121901760	1SS176
CN214	C48D022012	2P PH 200 mm	X'tal X201	4100941940	4.194304M AT-49
ANTENNA JACK P.C. BOARD ASS'Y			AR3	Resistors 408Y04J472	RYLS04J472, R. Array 4.7 k ohm x 4
FDI	Front End 7160228003	FE415-G11B, FM <V>	AR4	408Y08J473	RYLS08J473, R. Array 47 k ohm x 8
D001-D004	Diodes 4121901760	1SS176	C202,C204, C211,C212, C225,C226, C228, C231, C233,C236, C241,C243, C244,C262	Capacitors 5153101210	100μ F, 10V, Elect.
L001	Coil 4300400710	PC8474-1, FM Antenna <V>	C206L/R	5153479250	4.7μ F, 50V, Elect.
JAK1	Jack 4500800275 4560002065	CJ-9002-040, 4P Antenna <D> 2P Antenna <P><V>	C215	5153109250	1μ F, 50V, Elect.
CN002	Connectors C488020833	2P 160 mm <D><P>	C218L/R	5113184563	0.18μ F, 63V, Metalized Polyester
CN004-1, CN005-1	C488041651	4P 180 mm <V>	C251	5153220216	22μ F, 16V, Elect.
CN501	C488021609	2P Black 160 mm <D><P>	C253	5153100225	10μ F, 25V, Elect.
MAIN P.C. BOARD ASS'Y			C254	5153470216	47μ F, 16V, Elect.
IC201	ICs 22240399	TC9163N	C265	2000001014	0.1F, 5.5V, Supper Elect.
IC202,IC204, IC206	415904558M	NJM4558M	CN203	Connectors 4490501004	PH 5P, Male
IC203	415309184P	TC9184P	CN205	4490301002	EH 3P(2.5), Male
IC205	4152075350	LC7535	CN208	4491101005	PH 11P, Male
IC207	415903830F	BA3830F	CN209	4490701005	PH 7P, Male
IC208	415978M08A or 415778M083	NJM78M08A or M78M08CT	CN210	4490901004	PH 9P, Male
IC209	222790082JRC or 415779M083	NJM79M08A or MC79M08CT	CN211	4490601005	PH 6P, Male
			CN220	4490301004	PH 3P, Male
			CON05	4491001005	PH 10P, Male
			CON06	4490501005	PH 5P, Male
			CON10	4490301005	PH 3P, Male

CIRCUIT NO.	PART NO.	DESCRIPTION	CIRCUIT NO.	PART NO.	DESCRIPTION
SOCKET B P.C. BOARD ASS'Y					
	Transistors		XTL01	410098467M	8.4672MHz
Q291L/R	410520945PQ	2SC945P,Q	XTL02	4100941940	4.194304M AT-49
	Jack			Coil	
JACK2	4500800350	RJ-1031-010, 2P RCA	L01	4325010093	100K, Peaking
	Socket			Resistors	
CN703-1	4570901250	CFG1117-01ZZ, 17P	SFR01	5226203177 or 5226203137	20KX, Semi-fixed 20KX (D8AA03), Semi-fixed
	Connector		SFR02	5226103177 or 5226103137	10KX EVNDXAA03B13, Semi-fixed 10KX (D8AA03), Semi-fixed
CN723	4490901005	PH S9B-PH-K-S, Male	SFR03	5226202177 or 5226202137	2KX EVNDXAA03, Semi-fixed 2KX (D8AA03), Semi-fixed
	Wire Holders			Capacitors	
CN09	4490500261	5P20	C02,C03,C07, C08,C20,C21, C25,C32, C36-C38,C91, C92	5153470210	47 μ F, 10V, Elect.
CN201-1	4490300261	3P20	C04,C29,C99	5153478250	0.47 μ F, 50V, Elect.
	Miscellaneous		C13	5091471513	470pF, 100V, Polypropylene
	7306510215	UP05B102K-HT <V>	C16	5153339250	3.3 μ F, 50V, Elect.
	7306527115	UP05B271K-HT <V>	C18	5153220225	22 μ F, 25V, Elect.
CIRCUIT NO.	PART NO.	DESCRIPTION	C19,C95	5153109250	1 μ F, 50V, Elect.
CD DECORDER P.C. BOARD ASS'Y			C24	5153479250	4.7 μ F, 50V, Elect.
	ICs		C51,C52,C61, C62,C94	5153100225	10 μ F, 25V, Elect.
IC01	22240029	CXA1081M	C83,C84	5154222218	2200 μ F, 16V, Elect.
IC02	22240223	CXA1082BQ	C85-C88	5153221210	220 μ F, 10V, Elect.
IC03	415C01167Q	CXD1167Q		Connectors	
IC05	4151063767	μ PD6376GS	CON01	4492801004	PH 8P RED, Male
IC06	415904558L	NJM4558L	CON02	4490801004	PH 8P, Male
IC07	4151751121	μ PD75112GF-E69-3BE	CON03	4490601004	PH 6P, Male
	Transistors		CON04,CON09	4490501004	PH 5P, Male
Q01,Q44,Q45, Q51-Q54, Q80,Q81, Q82,Q99	410520945PQ	2SC945P,Q	CON06	C48D051811	5P 180 mm
Q02,Q04,Q06, Q08,Q10,Q41, Q42,Q85	410500952L	2SA952L	CON07	4490701004	PH 7P, Male
Q03,Q05,Q07, Q9,Q98	2211772	2SC2001L	CON08	4490201004	PH 2P(2.0), Male
Q83,Q88,Q89	410500733PQ	2SA733P,Q	CON10	C488031541	3P 100 mm
Q84	410030313DE	2SD313D,E	BASE 2,BASE 3	4490301002	EH 3P(2.5), Male
Q87	4105522603EF	2SC2603E,F	BASE 4	4490201002	EH 2P(2.5), Male
Q97	410920114T	DTC114TS		Wire Holder	
	Diodes		CON10	44900300261	3P20
D02-D04, D14-D19	332414830	1N4148	CIRCUIT NO.	PART NO.	DESCRIPTION
D07-D10	4138104002	1N4002L	CD DECORDER P.C. BOARD ASS'Y		
D11,D12	224470562	MTZJ5.6B, Zener		Switches	
D13,D20	224470512	MTZJ5.1B, Zener	S02-S09	4400000156	SKHVB3520-CP, Tact
				Connector	
			CON07	C48D072512	7P 250 mm

PACKING LIST

PACKING PARTS LIST (KA-501)

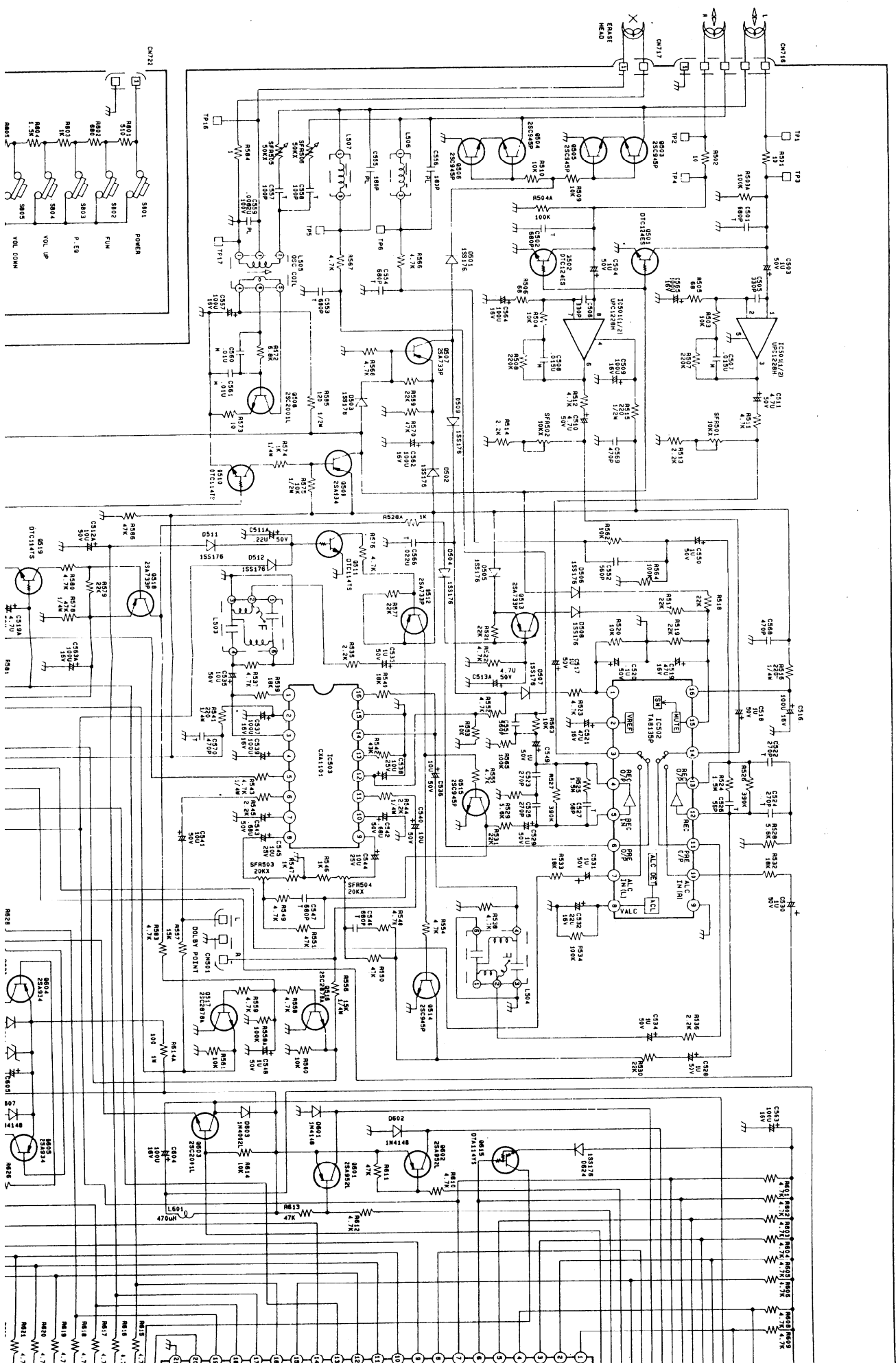
REF.NO.	PART NO.	DESCRIPTION
	900306305D	CARTON
	9A0104305A	SNOW BOX L
	9A0204305A	SNOW BOX R
	9902304041	POLY BAG 23 × 40(I/B)
	900406301D	SOFT SHEET(58 × 58)
	9010007470	SERIAL NO.LABEL(34 × 6)
	901104301A	SOFT SHEET(18 × 30)
	9060010860	RATING SERIAL NO.LABEL
	9100018130	SERVICE LABEL
	9100018720	CASSETTE LOCK LABEL
	9100019320	BAR CODE LABEL
	9100019500	SHIPPING LABEL
	<ACCESSARY BAG ASS'Y>	
	9080021480	INSTRUCTION BOOK(3L)
	9120004500	I/B SHEET (CASSETTE LOCK)
	9120004750	SERVICE SHEET
	C488171373	17P PLUG ASS'Y
	4300103441	AM LOOP ANTENA ASS'Y
	715305DOC1	REMOTE TRANSMITTER ASS'Y
	9030006750	WARRANTY CARD

PACKING PARTS LIST (CT-501)

CIRCUIT NO.	PART NO.	DESCRIPTION
	9A0104305A	Snow Box L
	9A0204305A	Snow Box R
	900406301D	Soft Sheet (58 × 58)
	201906301D	Sheet Cushion

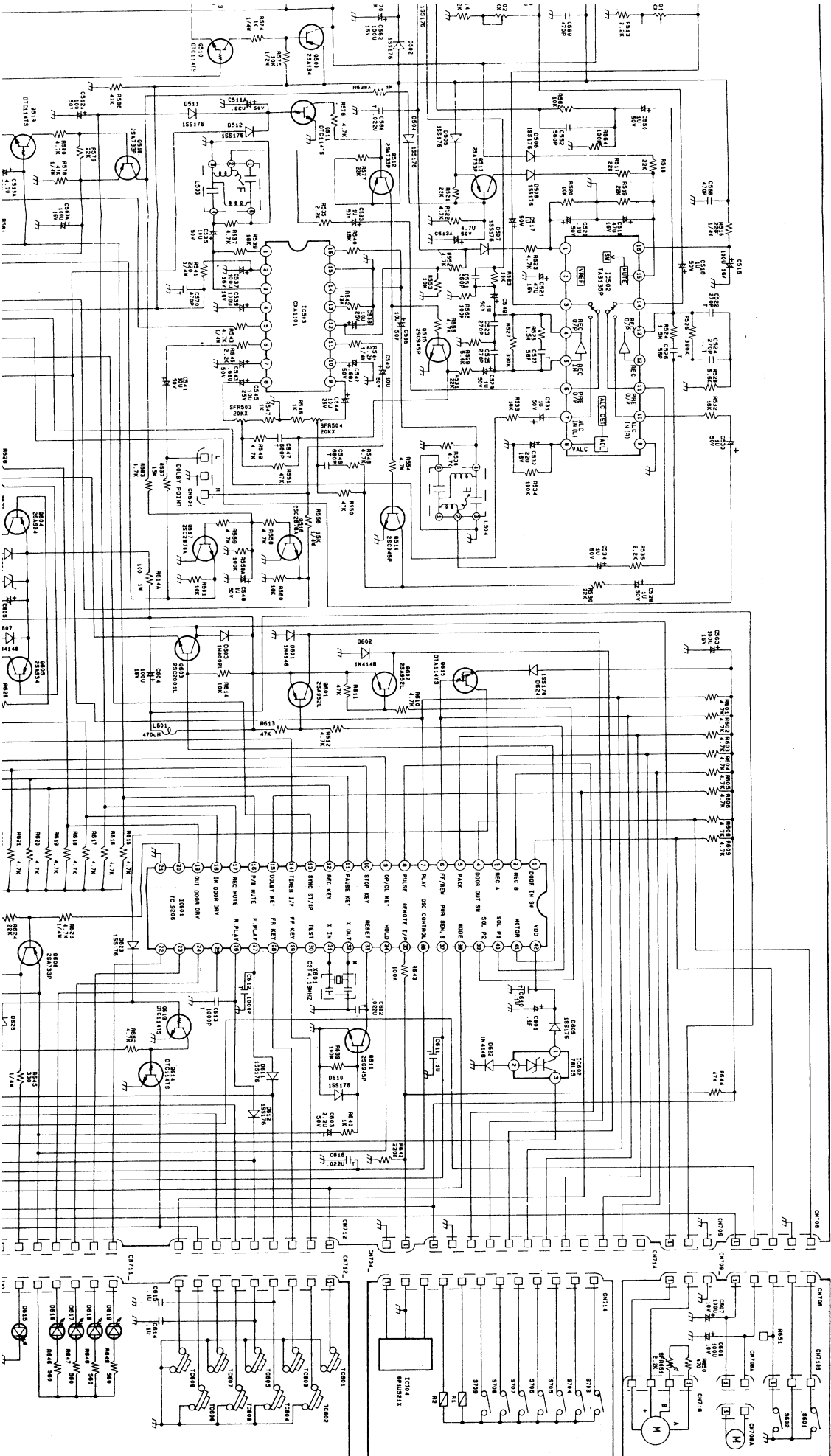
A B C D E F G

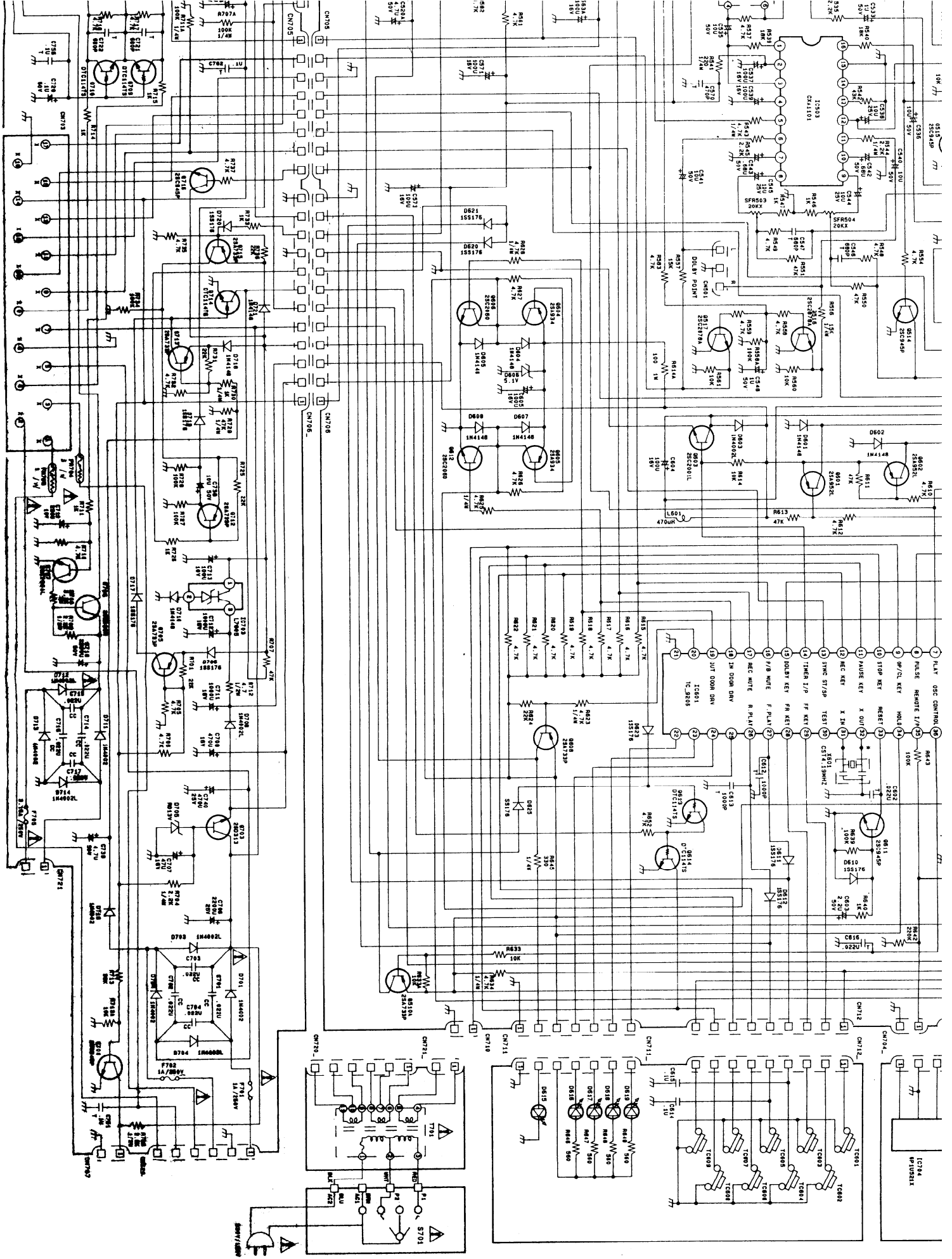
SCHEMATIC DIAGRAM-CASSETTE/AMPLIFIER (120V model)



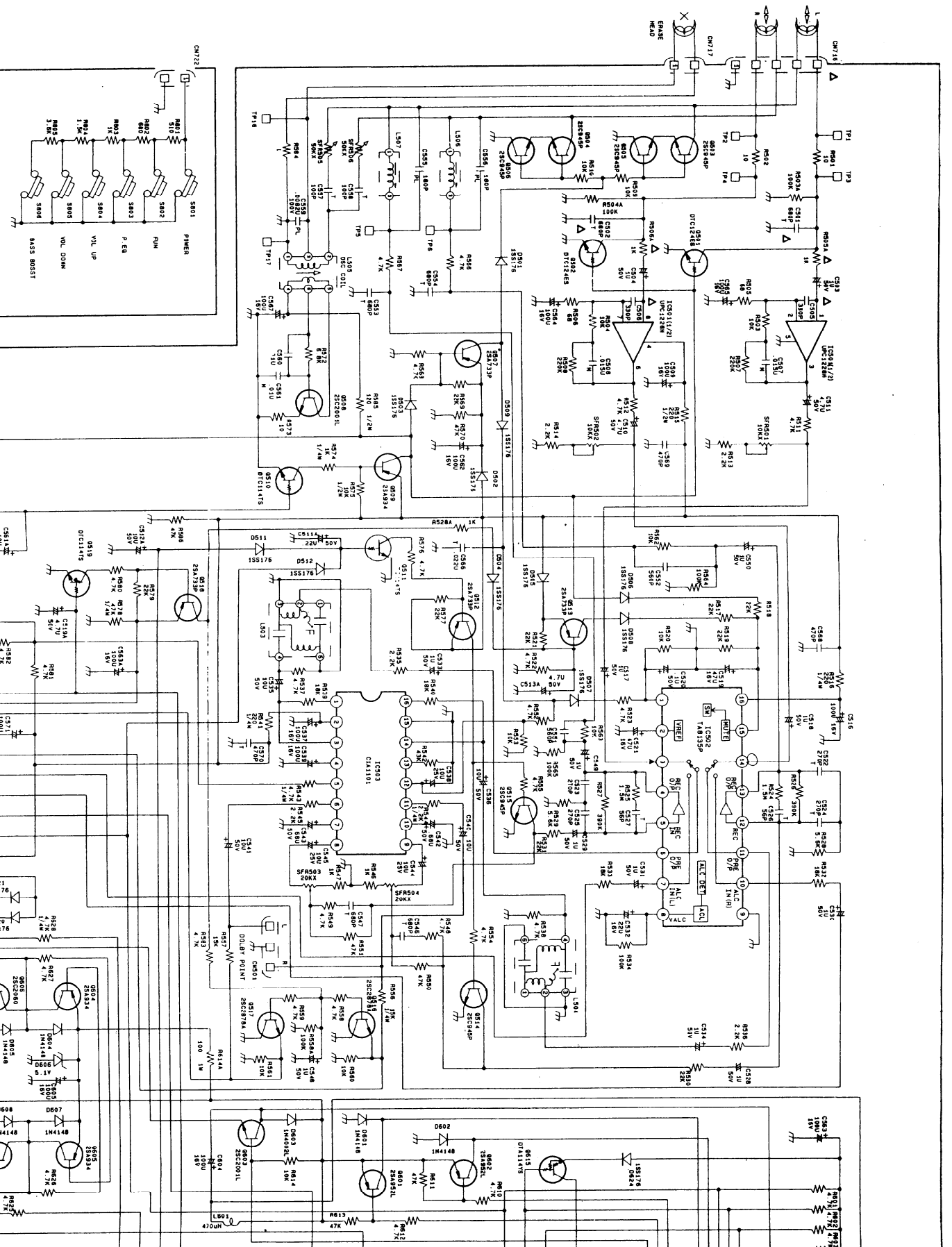
C D E F G H I J

10V model)



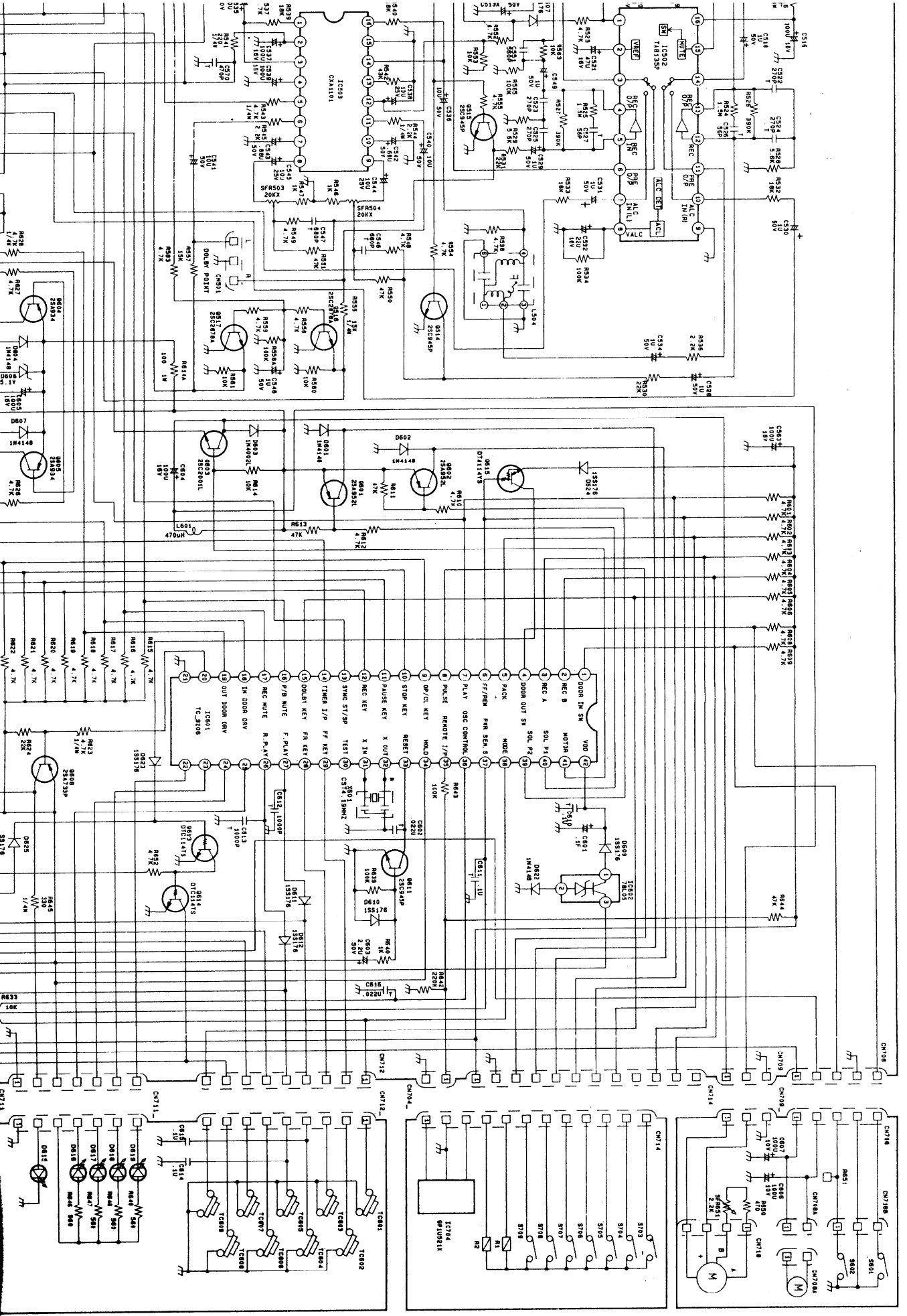


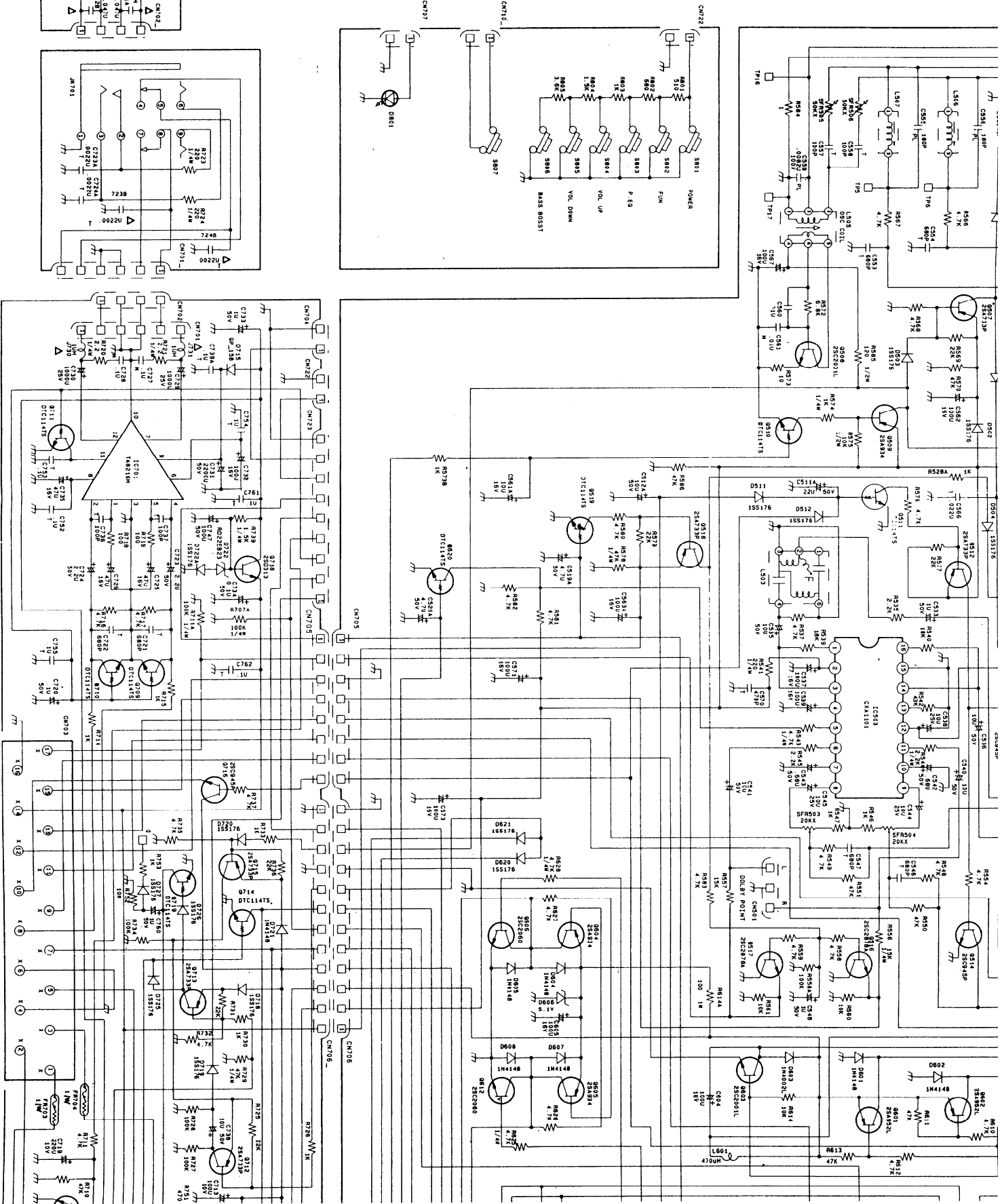
SCHEMATIC DIAGRAM-CASSETTE/AMPLIFIER (230V model)



A B C D E F G

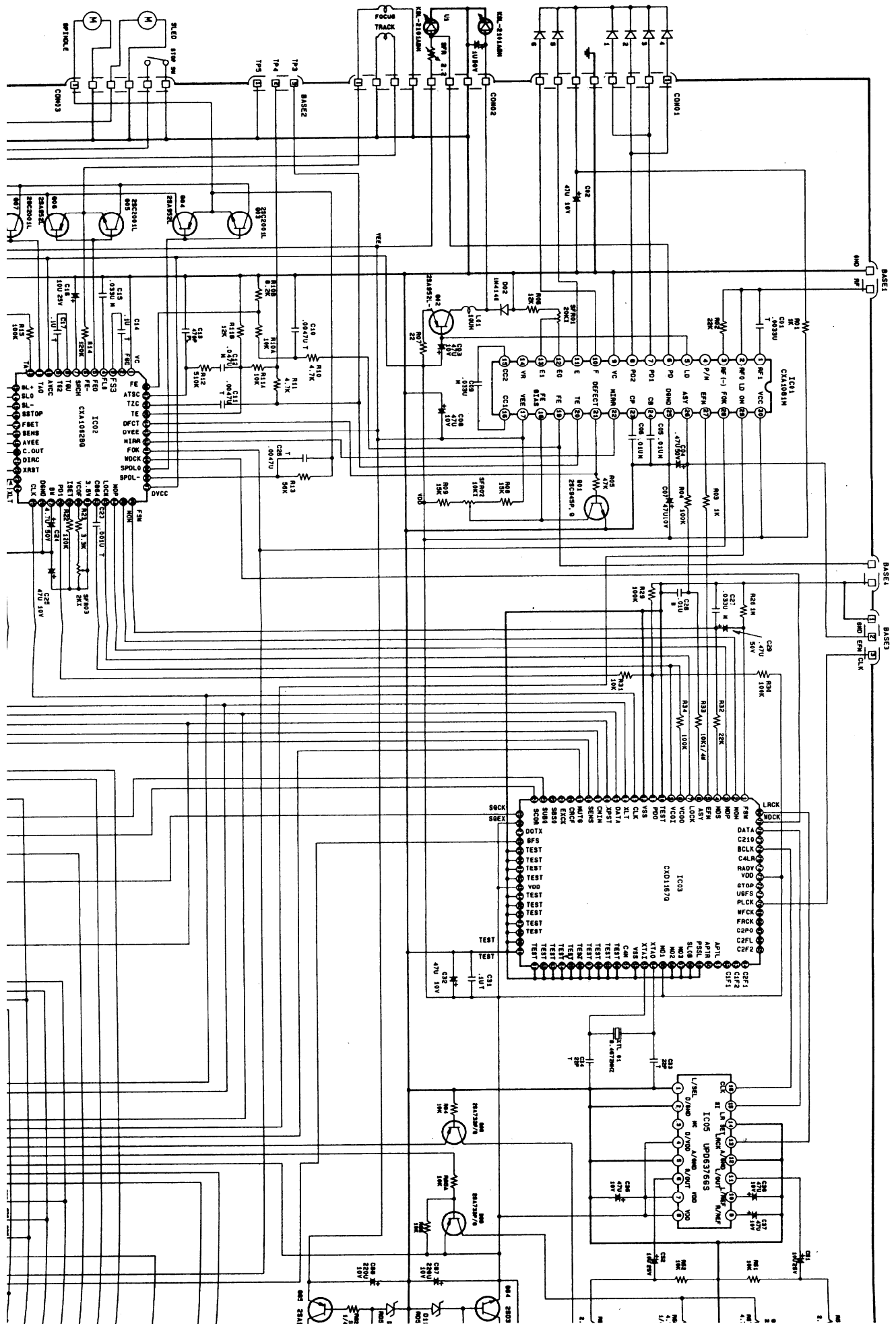
E F G H I J



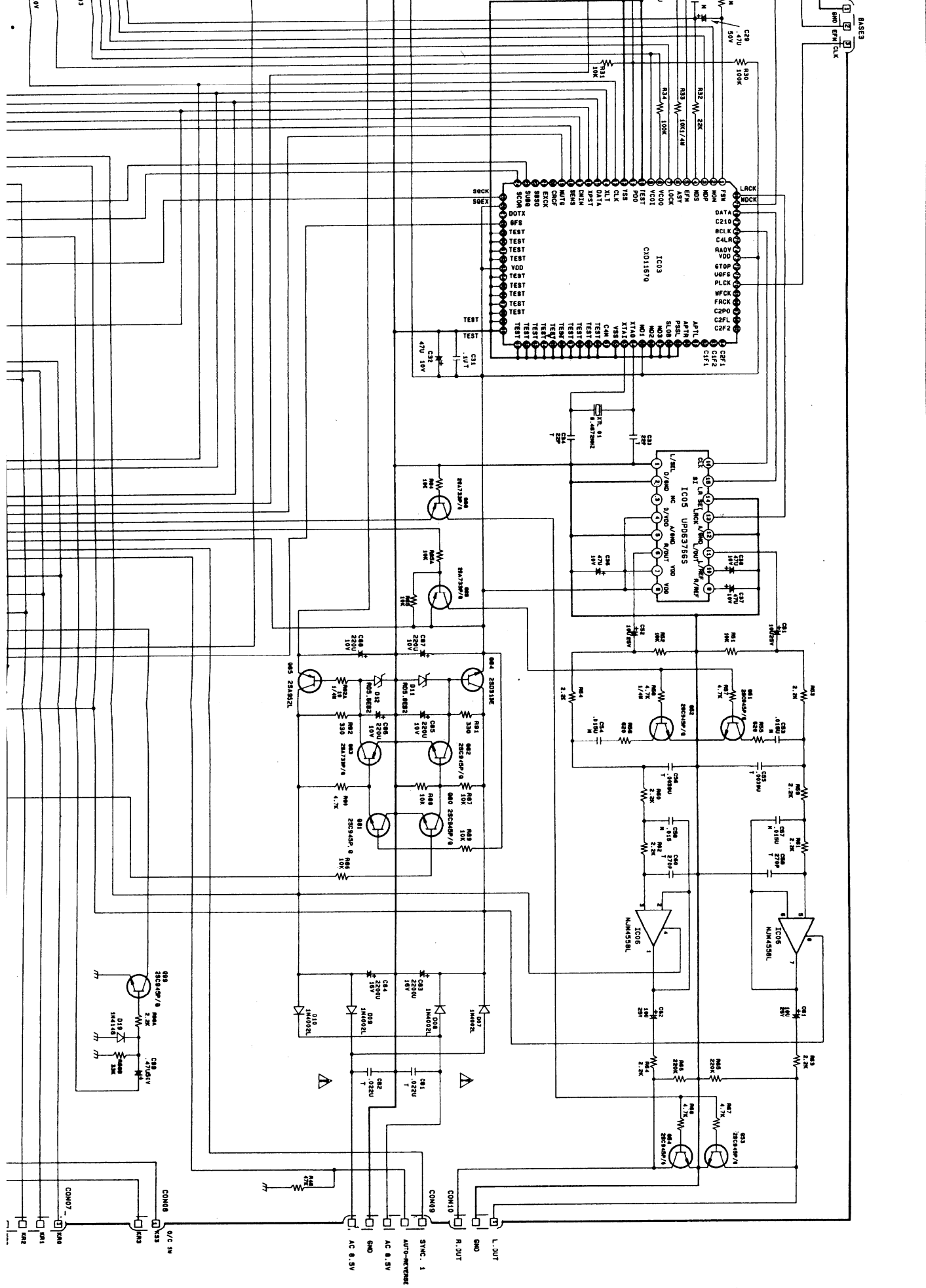


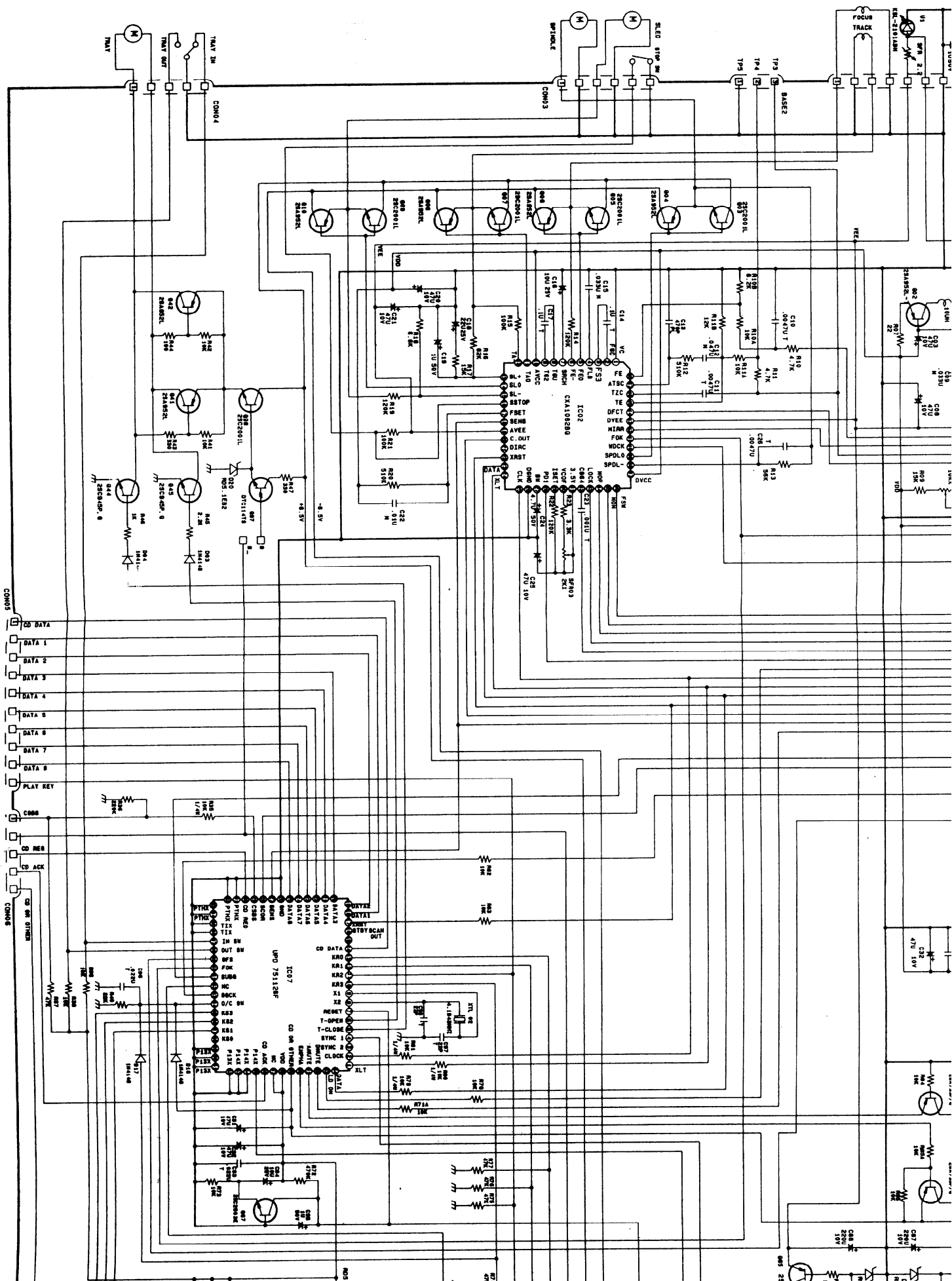
SCHEMATIC DIAGRAM-CD DECODER

A B C D E F G



D E F G H I J





CON05

CD DATA

DATA 1

DATA 2

DATA 3

DATA 4

DATA 5

DATA 6

DATA 7

DATA 8

PLAY KEY

CBB

RE

CD ACK

CD ON/OFF

CON05

CON04

TRAY IN

TRAY OUT

CON04

CON03

WFOUR

CON03

CON02

RE-2101A

CON02

CON01

RE-2101A

CON01

CON00

RE-2101A

CON00

CON00

RE-2101A

CON00

CON00

RE-2101A

CON00

CON00

RE-2101A

CON00

CON00

RE-2101A

CON00

CON00

RE-2101A

CON00

CON00

RE-2101A

CON00

CON00

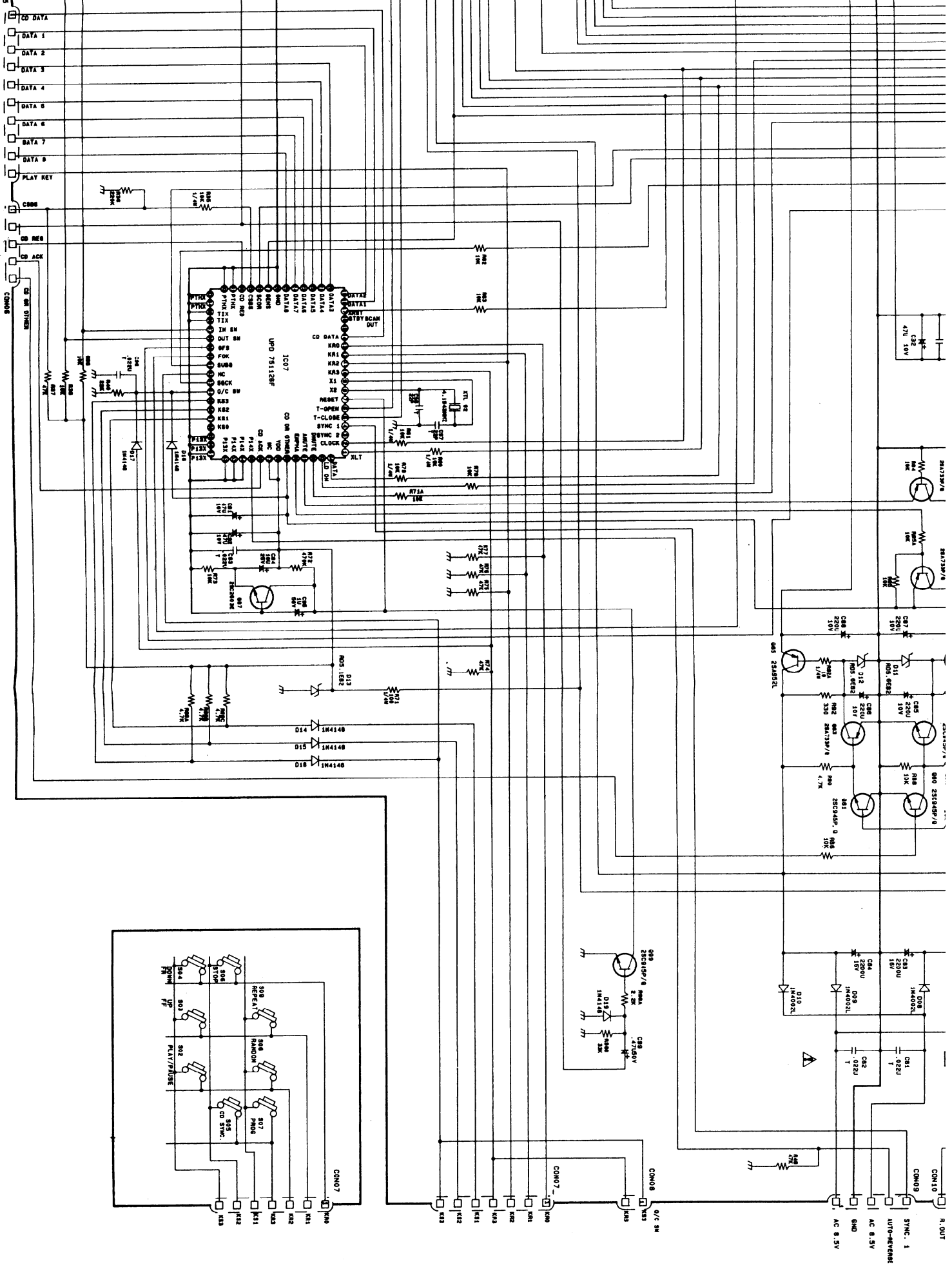
RE-2101A

CON00

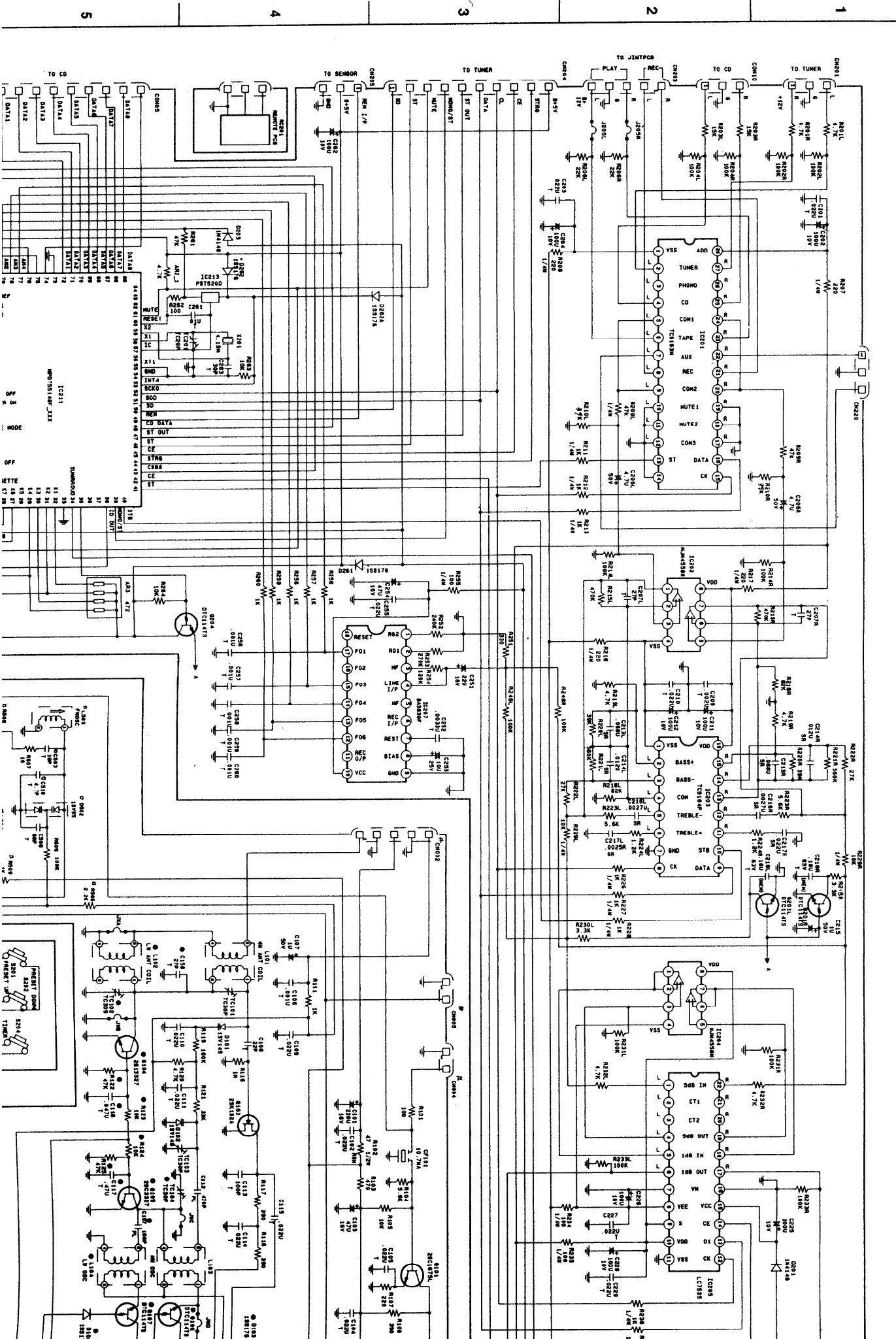
CON00

RE-2101A

CON00



SCHEMATIC DIAGRAM-TUNER/DIGITAL SOUND CONTROL



A B C D E F G

1 2 3 4 5

TO CD
DATA16
DATA15
DATA14
DATA13
DATA12
DATA11
DATA10
DATA9
DATA8
DATA7
DATA6
DATA5
DATA4
DATA3
DATA2
DATA1
DATA0

TO TUNER
REC
PHONO
TUNER
CD
COM1
TAPES
TCS158M
AUX
REC
MUTE1
MUTE2
COM3
ST
DATA
CK

TO SENSOR
CH253
CH252
CH251
CH250
CH249
CH248
CH247
CH246
CH245
CH244
CH243
CH242
CH241
CH240
CH239
CH238
CH237
CH236
CH235
CH234
CH233
CH232
CH231
CH230
CH229
CH228
CH227
CH226
CH225
CH224
CH223
CH222
CH221
CH220
CH219
CH218
CH217
CH216
CH215
CH214
CH213
CH212
CH211
CH210
CH209
CH208
CH207
CH206
CH205
CH204
CH203
CH202
CH201
CH200
CH199
CH198
CH197
CH196
CH195
CH194
CH193
CH192
CH191
CH190
CH189
CH188
CH187
CH186
CH185
CH184
CH183
CH182
CH181
CH180
CH179
CH178
CH177
CH176
CH175
CH174
CH173
CH172
CH171
CH170
CH169
CH168
CH167
CH166
CH165
CH164
CH163
CH162
CH161
CH160
CH159
CH158
CH157
CH156
CH155
CH154
CH153
CH152
CH151
CH150
CH149
CH148
CH147
CH146
CH145
CH144
CH143
CH142
CH141
CH140
CH139
CH138
CH137
CH136
CH135
CH134
CH133
CH132
CH131
CH130
CH129
CH128
CH127
CH126
CH125
CH124
CH123
CH122
CH121
CH120
CH119
CH118
CH117
CH116
CH115
CH114
CH113
CH112
CH111
CH110
CH109
CH108
CH107
CH106
CH105
CH104
CH103
CH102
CH101
CH100
CH99
CH98
CH97
CH96
CH95
CH94
CH93
CH92
CH91
CH90
CH89
CH88
CH87
CH86
CH85
CH84
CH83
CH82
CH81
CH80
CH79
CH78
CH77
CH76
CH75
CH74
CH73
CH72
CH71
CH70
CH69
CH68
CH67
CH66
CH65
CH64
CH63
CH62
CH61
CH60
CH59
CH58
CH57
CH56
CH55
CH54
CH53
CH52
CH51
CH50
CH49
CH48
CH47
CH46
CH45
CH44
CH43
CH42
CH41
CH40
CH39
CH38
CH37
CH36
CH35
CH34
CH33
CH32
CH31
CH30
CH29
CH28
CH27
CH26
CH25
CH24
CH23
CH22
CH21
CH20
CH19
CH18
CH17
CH16
CH15
CH14
CH13
CH12
CH11
CH10
CH9
CH8
CH7
CH6
CH5
CH4
CH3
CH2
CH1

TO JMT2PCB
REC
PHONO
TUNER
CD
COM1
TAPES
TCS158M
AUX
REC
MUTE1
MUTE2
COM3
ST
DATA
CK

TO CD
DATA16
DATA15
DATA14
DATA13
DATA12
DATA11
DATA10
DATA9
DATA8
DATA7
DATA6
DATA5
DATA4
DATA3
DATA2
DATA1
DATA0

TO TUNER
REC
PHONO
TUNER
CD
COM1
TAPES
TCS158M
AUX
REC
MUTE1
MUTE2
COM3
ST
DATA
CK

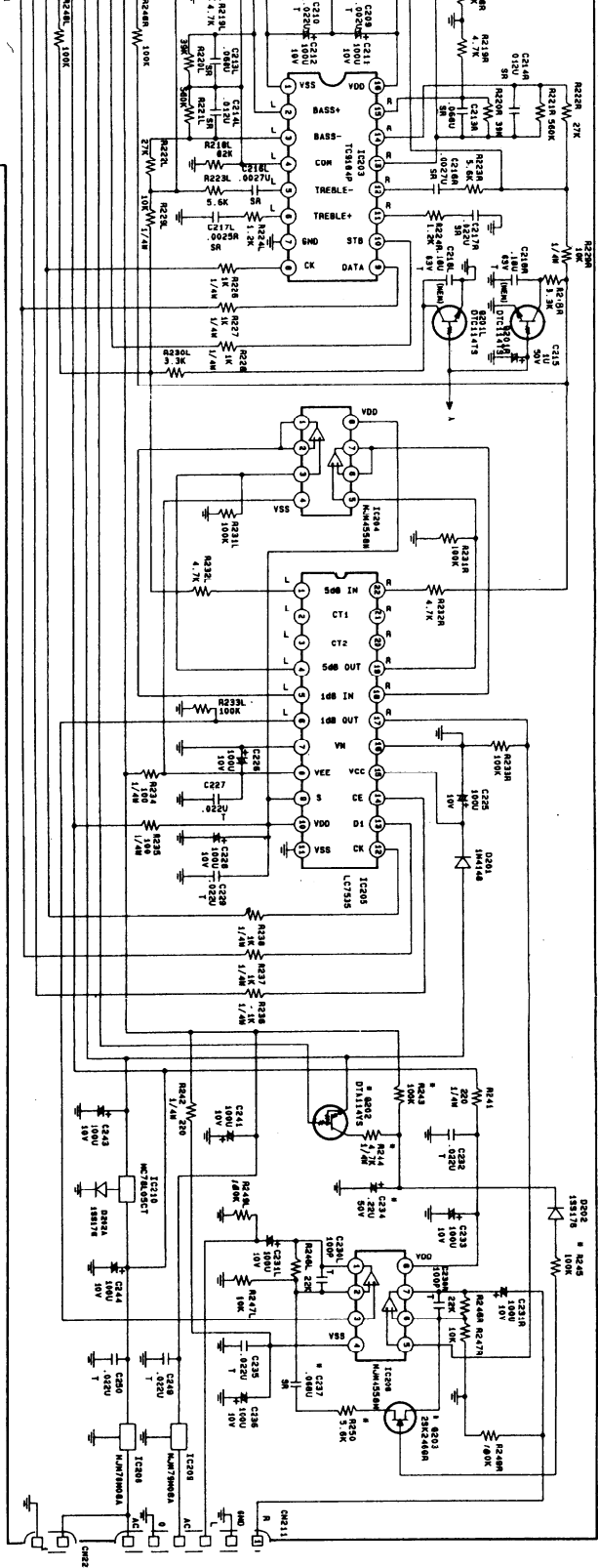
TO SENSOR
CH253
CH252
CH251
CH250
CH249
CH248
CH247
CH246
CH245
CH244
CH243
CH242
CH241
CH240
CH239
CH238
CH237
CH236
CH235
CH234
CH233
CH232
CH231
CH230
CH229
CH228
CH227
CH226
CH225
CH224
CH223
CH222
CH221
CH220
CH219
CH218
CH217
CH216
CH215
CH214
CH213
CH212
CH211
CH210
CH209
CH208
CH207
CH206
CH205
CH204
CH203
CH202
CH201
CH200
CH199
CH198
CH197
CH196
CH195
CH194
CH193
CH192
CH191
CH190
CH189
CH188
CH187
CH186
CH185
CH184
CH183
CH182
CH181
CH180
CH179
CH178
CH177
CH176
CH175
CH174
CH173
CH172
CH171
CH170
CH169
CH168
CH167
CH166
CH165
CH164
CH163
CH162
CH161
CH160
CH159
CH158
CH157
CH156
CH155
CH154
CH153
CH152
CH151
CH150
CH149
CH148
CH147
CH146
CH145
CH144
CH143
CH142
CH141
CH140
CH139
CH138
CH137
CH136
CH135
CH134
CH133
CH132
CH131
CH130
CH129
CH128
CH127
CH126
CH125
CH124
CH123
CH122
CH121
CH120
CH119
CH118
CH117
CH116
CH115
CH114
CH113
CH112
CH111
CH110
CH109
CH108
CH107
CH106
CH105
CH104
CH103
CH102
CH101
CH100
CH99
CH98
CH97
CH96
CH95
CH94
CH93
CH92
CH91
CH90
CH89
CH88
CH87
CH86
CH85
CH84
CH83
CH82
CH81
CH80
CH79
CH78
CH77
CH76
CH75
CH74
CH73
CH72
CH71
CH70
CH69
CH68
CH67
CH66
CH65
CH64
CH63
CH62
CH61
CH60
CH59
CH58
CH57
CH56
CH55
CH54
CH53
CH52
CH51
CH50
CH49
CH48
CH47
CH46
CH45
CH44
CH43
CH42
CH41
CH40
CH39
CH38
CH37
CH36
CH35
CH34
CH33
CH32
CH31
CH30
CH29
CH28
CH27
CH26
CH25
CH24
CH23
CH22
CH21
CH20
CH19
CH18
CH17
CH16
CH15
CH14
CH13
CH12
CH11
CH10
CH9
CH8
CH7
CH6
CH5
CH4
CH3
CH2
CH1

TO JMT2PCB
REC
PHONO
TUNER
CD
COM1
TAPES
TCS158M
AUX
REC
MUTE1
MUTE2
COM3
ST
DATA
CK

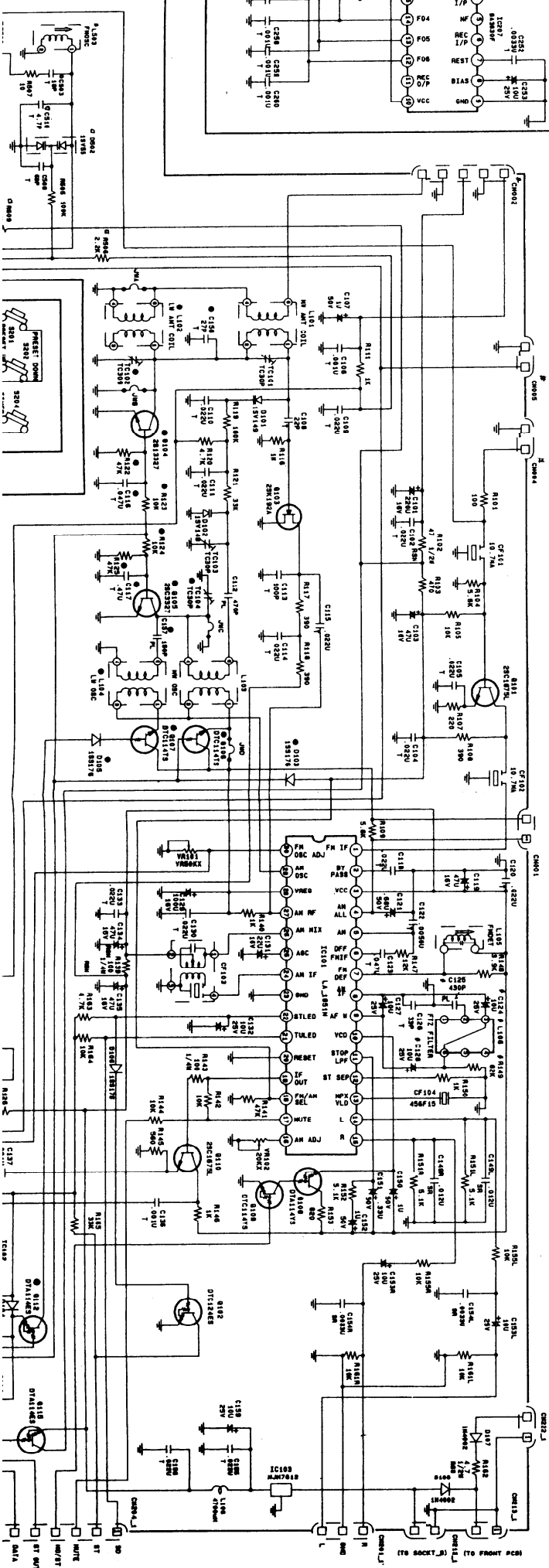
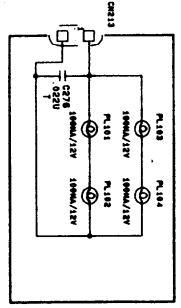
TO CD
DATA16
DATA15
DATA14
DATA13
DATA12
DATA11
DATA10
DATA9
DATA8
DATA7
DATA6
DATA5
DATA4
DATA3
DATA2
DATA1
DATA0

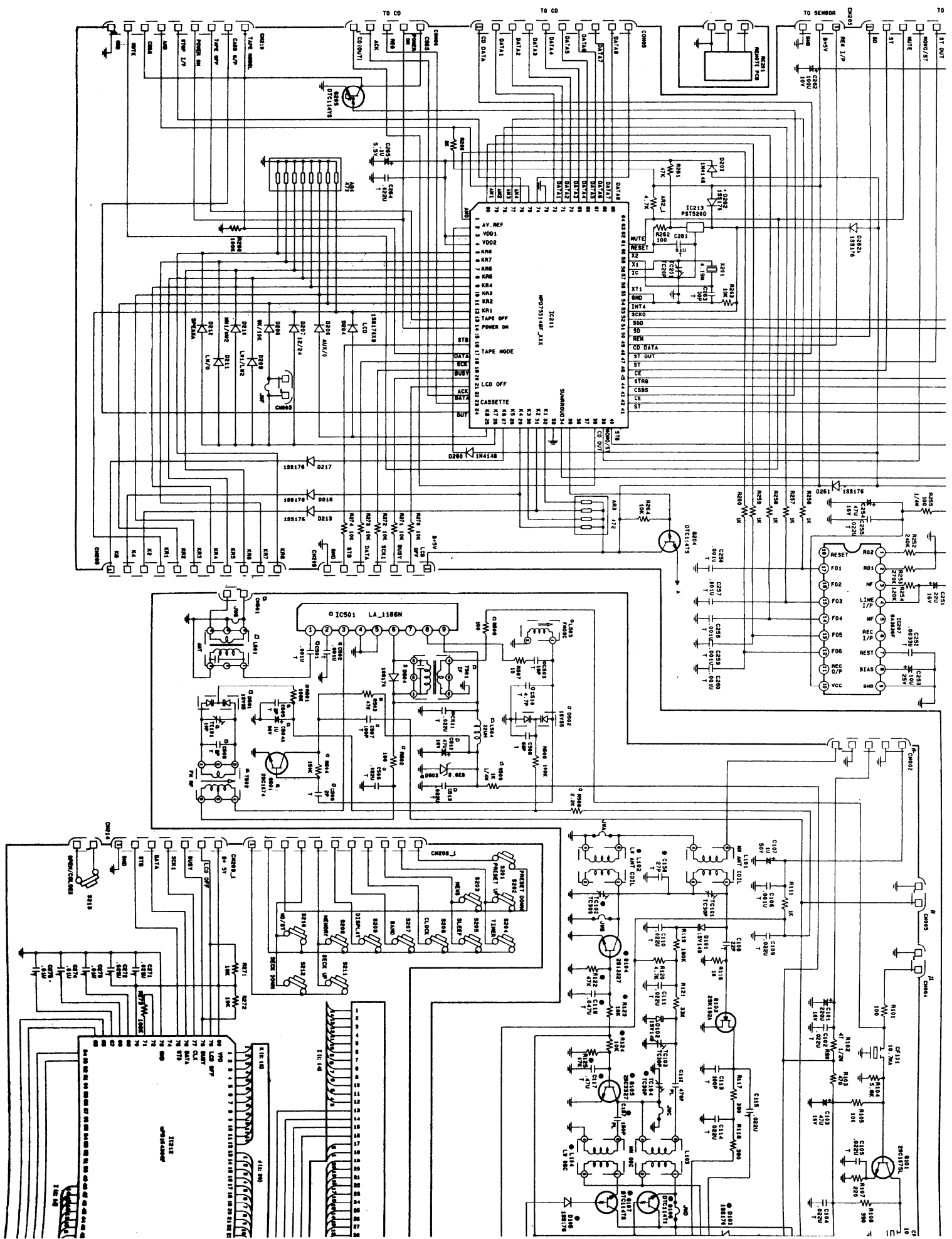
TO TUNER
REC
PHONO
TUNER
CD
COM1
TAPES
TCS158M
AUX
REC
MUTE1
MUTE2
COM3
ST
DATA
CK

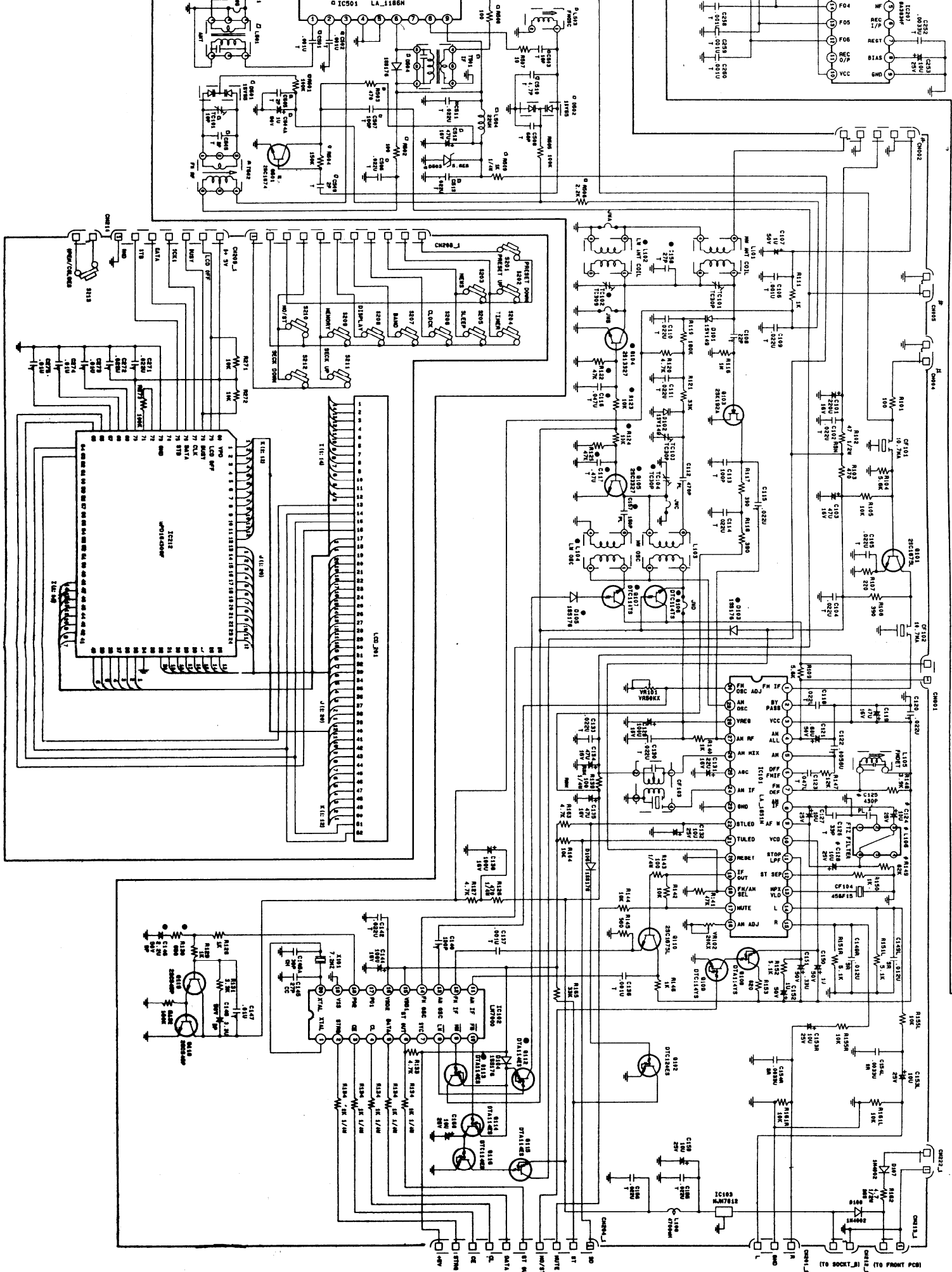
TO SENSOR
CH253
CH252
CH251
CH250
CH249
CH248
CH247
CH246
CH245
CH244
CH243
CH242
CH241
CH240
CH239
CH238
CH237
CH236
CH235
CH234
CH233
CH232
CH231
CH230
CH229
CH228
CH227
CH226
CH225
CH224
CH223
CH222
CH221
CH220
CH219
CH218
CH217
CH216
CH215
CH214
CH213
CH212
CH211
CH210
CH209
CH208
CH207
CH206
CH205
CH204
CH203
CH202
CH201
CH200
CH199
CH198
CH197
CH196
CH195
CH194
CH193
CH192
CH191
CH190
CH189
CH188
CH187
CH186
CH185
CH184
CH183
CH182
CH181
CH180
CH179
CH178
CH177
CH176
CH175
CH174
CH173
CH172
CH171
CH170
CH169
CH168
CH167
CH166
CH165
CH164
CH163
CH162
CH161
CH160
CH159
CH158
CH157
CH156
CH155
CH154
CH153
CH152
CH151
CH150
CH149
CH148
CH147
CH146
CH145
CH144
CH143
CH142
CH141
CH140
CH139
CH138
CH137
CH136
CH135
CH134
CH133
CH132
CH131
CH130
CH129
CH128
CH127
CH126
CH125
CH124
CH123
CH122
CH121
CH120
CH119
CH118
CH117
CH116
CH115
CH114
CH113
CH112
CH111
CH110
CH109
CH108
CH107
CH106
CH105
CH104
CH103
CH102
CH101
CH100
CH99
CH98
CH97
CH96
CH95
CH94
CH93
CH92
CH91
CH90
CH89
CH88
CH87
CH86
CH85
CH84
CH83
CH82
CH81
CH80
CH79
CH78
CH77
CH76
CH75
CH74
CH73
CH72
CH71
CH70
CH69
CH68
CH67
CH66
CH65
CH64
CH63
CH62
CH61
CH60
CH59
CH58
CH57
CH56
CH55
CH54
CH53
CH52
CH51
CH50
CH49
CH48
CH47
CH46
CH45
CH44
CH43
CH42
CH41
CH40
CH39
CH38
CH37
CH36
CH35
CH34
CH33
CH32
CH31
CH30
CH29
CH28
CH27
CH26
CH25
CH24
CH23
CH22
CH21
CH20
CH19
CH18
CH17
CH16
CH15
CH14
CH13
CH12
CH11
CH10
CH9
CH8
CH7
CH6
CH5
CH4
CH3
CH2
CH1



MARK	MEMO
●	LM 2844#B
●	-FTZ ONLY
*	SURROUND ONLY
○	87/84/85 ONLY



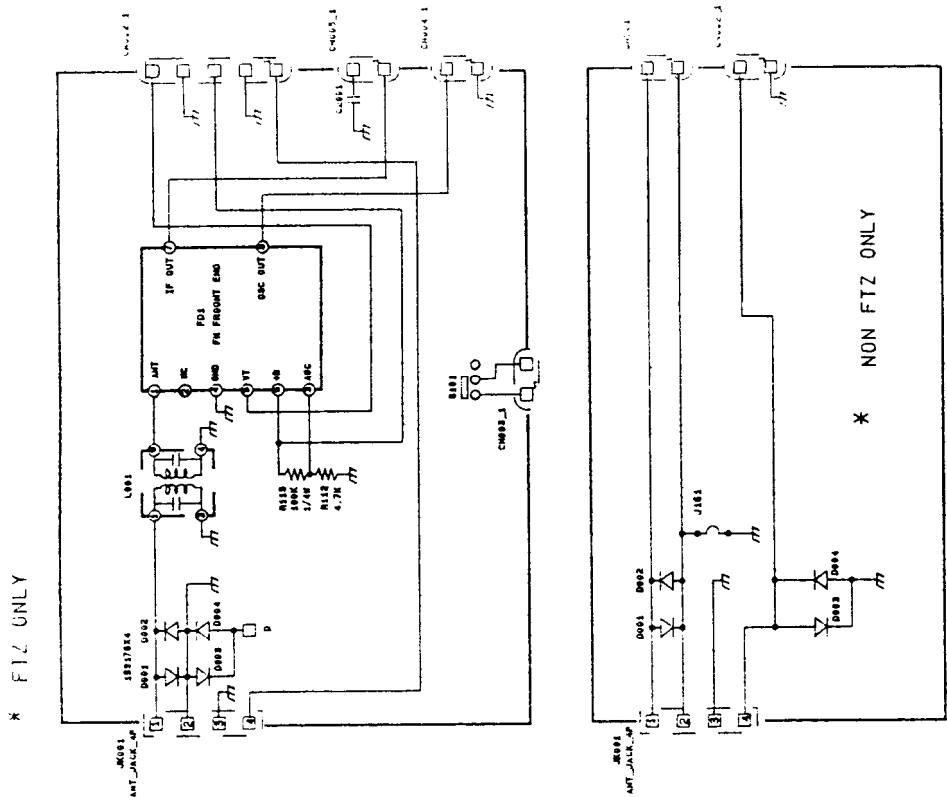




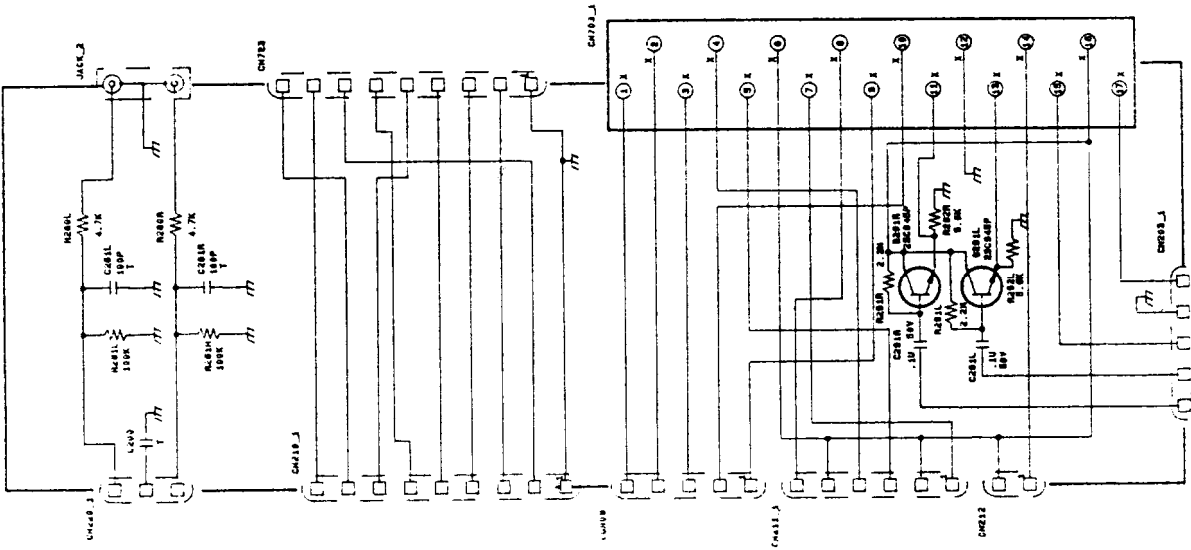
(TO SOCKET)

(TO FRONT PCB)

SCHEMATIC DIAGRAM-SOCKET



FTZ	CAPETRONIC MODEL	CUSTOMER MODEL
NON FTZ	3050_L6	MPC_501 UPV
J161	3050_L1/L4	* ↓
	3050_L1	MPC_501 UU
	3050_L4	MPC_501 UP



SPECIFICATIONS

AMPLIFIER/CASSETTE DECK (KA-501)

Unit Size : 162(W) x 141(H) x 273(D) mm
6-3/8" x 5-9/16" x 10-3/4"

AMPLIFIER SECTION

Power Output : 2 x 10 watts (10% THD 1kHz 8 ohms)
Equalizers : 4 Preset EQ curve (5 Bands Spect.)
FLAT, POP, JAZZ, CLASSIC
2 User Presetable EQ curve
ORIGINAL 1, 2
Input Selector : CD, TUNER, TAPE, AUX
Headphones : 3.5 mm (SPEAKERS Switch)
Display : LCD Display
Tone Controls
Bass : ±8.0 dB at 100 Hz
Treble : ±8.0 dB at 10 kHz
Super Bass : 8.0 dB at 100 Hz
S/N Ratio : 67 dB (IHF-A)
Power Source : 120V, 60Hz (US Type)
230V, 50Hz (European Type)

CASSETTE DECK SECTION

Deck : Rec./Play Auto Revers (Normal)
Play Mode : DECK ⇄, Revers Mode Play
Dubbing : CD Synchro, Edit Recording
FF/REW Time : 110 sec.(C-60)
Noise Reduction : DOLBY B NR
Wow Flutter : 0.15% (WRMS)
Loading : Horizontal Slide Drawer
Input Volume : ALC

SPEAKER SYSTEM (PS-501)

Unit Size : 160(W) x 282(H) x 216(D) mm
6-5/16" x 11-1/8" x 8-1/2"
Type : 2 Way Bass Reflex
Speakers
Woofer : 12.5 cm Corn Type
Squawker : 5.0 cm Corn Type
Impedance : 8 ohm

CD PLAYER /TUNER (CT-501)

Unit Size : 162(W) x 141(H) x 263(D) mm
6-3/8" x 5-9/16" x 10-3/8"

CD PLAYER SECTION

Reading Rotation : About 200-500 r.p.m.(CLV)
D/A Conveter : 2 x Over Sampling
Freq. Response : 40Hz - 20kHz (+2/-3dB)
Program : 20 Tracks Memory
Tray : Single Drawer For a Disc
Repeat Mode : REPEAT, 1, ALL, SHUFFLE, SCAN
Scanning Method : Non-contact Optical Scanner
Error Correction : Cross Interleave, Reedsolomon Code
Channel : 2 Channel

TUNER SECTION

FM Tuning Range : 87.5 - 108.0 MHz (50 kHz step)
AM Tuning Range : 531 - 1602 kHz (9 kHz step)
US Type : FM 100 kHz step, AM 10 kHz step
Preset Station : FM + AM 30 Station Memories
Timer Function : Sleep, Wake-Up, News, Snooze

REMOTE CONTROL (With 36 Key)(RC-275S)

Control Distance : 15 Feets
Control Angle : ±30 Degree

POWER, SOURCE, SLEEP, SNOOZE, PROGRAM,
CLEAR, DISPLAY, TEN KEY, 1 ~ 9, 0, +10, BAND,
SCAN, CD PLAY/ PAUSE, STOP, EDIT, SKIP F(FF),
SKIP B(REW), F/PLAY, R/PLAY, STOP, BASS BOOST,
EQ MODE, BASS UP, DOWN, TREBLE UP, DOWN,
VOLUME UP, DOWN

ONKYO CORPORATION

International Sales Dept. : 31 Sankyo-bild, 3-8-5, Asakusabashi, Taito-ku, TOKYO 111, JAPAN

TEL : 03-5820-5865 FAX : 03-5820-5869

ONKYO U.S.A. CORPORATION

200 Williams Drive, Ramsey, N.J. 07446, U.S.A.

TEL : 201-825-7950 FAX : 201-825-8150

ONKYO EUROPE ELECTRONICS GMBH

Industriestrasse 18-20, 82110 Germering, GERMANY

TEL : 089 84 93 20 FAX : 089 84 93 226

ONKYO FRANCE

Immeuble Le Diamant, Domaine Technologique de Saclay, 4 Rue Rene Razel, 91892 SACLAY, FRANCE

TEL : (1) 69 33 14 00 FAX : (1) 69 41 35 84